

HA30 SPECIFICATIONS

Powered By Tier 4 Final Scania Engine

Net Weight 51,147 lb (23,200 kg)	Max Power 375 hp (276 kW)	Body Volume 17.8 yd ³ (16.8 m ³)	Max Payload 28 metric ton / 31 short ton
--	-------------------------------------	---	---



ENGINE

Maker / Model	Scania DC 9
Type	Water-cooled, diesel engine with turbo charger and air-to-air intercooler
Emissions certification	Tier 4 Final
Aftertreatment System	EGR / SCR (No DPF)
Power Rating ISO 3046	375 hp (276 kW) at 2100 rpm
Number of Cylinders	5 (in line)
Torque Gross	1873 Nm at 1,300 rpm
Displacement	2.46 gal (9.3 l)
Bore Diameter × Stroke	5.12" × 5.51" (130 × 140 mm)
Air Filter	2-stage (main + safety), dry type

ELECTRICAL SYSTEM

Voltage	24 V
Battery	2 × 12 V
Battery Capacity	2 × 140 Ah
Starter Motor	8 hp (6 kW)
Alternator	28 V, 100 A

DRIVETRAIN

Torque Converter	Lock up function in all gears
Transmission	Electronically controlled automatic transmission with retarder Full time 6×6 drive with two transverse differentials and one longitudinal inter-axle longitudinal Torque-proportioning differential, integrated into the ZF transmission
Front Axle Transverse Differential	Limited-slip diff lock with 45 to 40% locking ratio mounted directly at transmission
Rear Axle Transverse Differential	Limited-slip diff lock with 45 to 40% locking ratio
Torque Distribution (100% Lockable)	1/3 to the front axle, 2/3 to the rear axle

STEERING SYSTEM

Cylinder	Two double-acting
Standard	The steering is approved according to ISO 5010
Max. Steering Angle	15°
Emergency Steering	Ground-driven emergency steering pump

TRANSMISSION

Maker / Model	ZF 8EP-320	
1st	4 (6)	
2nd	5 (8)	
3rd	7 (11)	
Travel Speed— Forward	4th	10 (16)
	5th	14 (23)
	6th	20 (32)
	7th	28 (45)
Travel Speed— Reverse	8th	34 (55)
	1st	4 (6)
	2nd	5 (8)
	3rd	7 (11)
4th	10 (16)	
Front Hubs	Kessler	
Rear Axle + Hubs	Kessler	
Rear Tandem	Hyundai (in house)	

BRAKES

Service Brakes	Dual circuit braking system acting on all six wheels, all hydraulic-operated brakes with enclosed oil-cooled wet multiple discs on four hubs (braking force distributed to two hubs by tandem gear wheels)
Parking Brake	Spring actuated mounted on driveline shaft
Max. Gradient, Parking Brake	15°
Retarder	Automatic transmission retarder standard
Brake System	Complies with ISO 3450

CABIN

ROPS / FOBS cabin meet ISO 3471 and ISO 3449
Hand and arm vibrations are less than 2.5 ms ² (ISO 5349-2)
Whole body vibration is less than 0.5 ms ² (ISO 2631-1)

AIR CONDITIONING SYSTEM

The air condition system contains fluorinated greenhouse gas refrigerant R134a (Global Warming Potential = 1,430). The system contains 2.0 kg of refrigerant representing a CO₂ equivalent of 2.86 metric tonnes.

HA30 SPECIFICATIONS

HYDRAULIC SYSTEM

Type	Variable displacement piston pump for steering, tipping, cooling fan brakes and auxiliaries
Maximum Pump Output	77.6 gpm (293.75 ℓ/min) @ 2,100 rpm
Filtration	Return flow filter
Main Safety Valve Pressure Tipping	4,061 psi (28 kPa)
Main Safety Valve Pressure Steering Circuit	3,045 psi (21 kPa)
Tilt Cylinders	Single-stage, double-acting
Tipping Time Raise	12 secs
Tipping Time Lower	10 secs

BODY

Body Volume (Without tailgate)	17.8 yd ³ (16.8 m ³)
Material	Hardened abrasion-resistant steel plates (400 HB)
Body Tipping Angle	70°
Level Capacity (with / without tailgate)	15.5 yd ³ (14.2 m ³) / 14.9 yd ³ (13.6 m ³)
Heaped Capacity (with / without tailgate)	19.5 yd ³ (17.8 m ³) / 18.4 yd ³ (16.8 m ³)

TIRES

Standard	23.5 R25*
Optional	750/65 R25

WEIGHTS

Empty Front Axle	27,888 (12,650)
Empty Rear Axle	22,817 (10,350)
Net Weight	51,147 (23,300)
Max. Front Axle	36,817 (16,700)
Admissible Rear Axle	81,571 (37,000)
Load Total Weight	112,876 (51,200)
Payload	28 metric tons / 31 short tons

POWER TO WEIGHT RATIO

Empty	14.7 hp/ton
Loaded	6.6 hp/ton

SERVICE REFILL CAPACITIES

Engine Oil	9.2 (34.8)
Fuel Tank	96 (363)
DEF Tank	18.5 (70)
Transmission	17.7 (67)
Hub Front (2x)	gal (ℓ) 2.5 (9.6)
Tandem Housing, Rear Differential and Hubs	33.8 (128)
Hydraulic System	25 (95)
Engine Cooling	11.9 (45)

GROUND PRESSURE

Tires	Standard tires with 15% sinkage
Unloaded Front Axle	17.7 (122)
Unloaded Rear Axle	7.54 (52)
Loaded Front Axle	psi (kPa) 23.5 (162)
Loaded Rear Axle	24.66 (170)

ARTICULATION HINGE AND CHASSIS

Articulation hinge	Articulation hinge with forward-mounted large dimensioned turning ring
Chassis	Heavy duty design, box type welded frames; 7° sloping rear frame design

SUSPENSION

Front	Semi-independent, self-levelling hydro-gas suspension
Rear	Free-swinging tandem housing

NOISE

Guaranteed noise level presented below can be differed depending on a range of factors, such as operating condition, speed of a cooling fan, types of engine and so forth. Hearing protection shall be necessary if an operator is working in the improperly maintained cabin or exposed to a noisy environment by leaving doors and/or windows open.

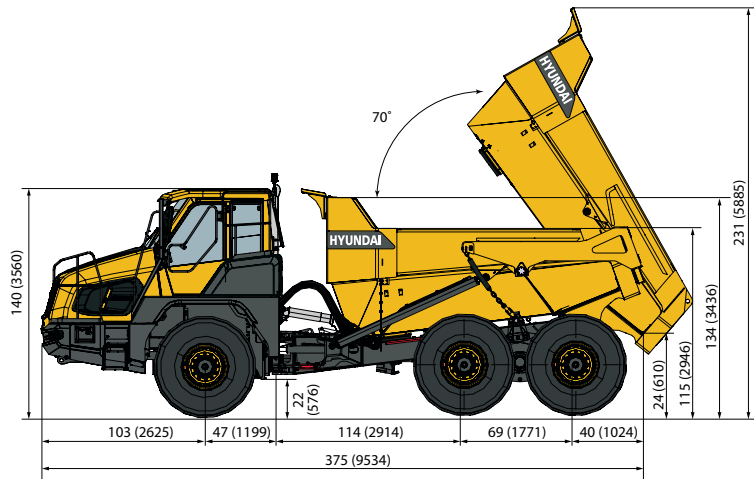
With a cooling fan at maximum value:

Operator Sound Pressure Level (ISO 6396:2008)	72 dB(A)
Exterior Sound Power Level (ISO 6395:2008)	107 dB(A)

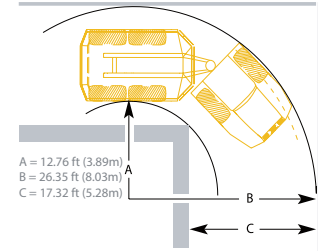
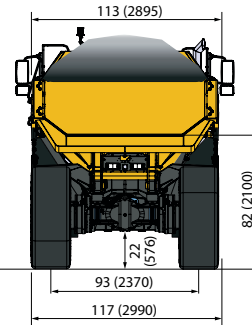
*Distance of 49.2 ft (15 m), moving forward in second gear ratio



HA30 DIMENSIONS



Unit:
in (mm)



HA30 width with
750/65 R25 tyres:
3208mm

Turning radius according to ISO 7457:
25.2 ft (7.68 m)

Unit: in (mm)

DIMENSIONS	
Transport position / cab height	141 (3,604)
Rotating beacon	151 (3,836)
Overall w/o tailgate	375 (9,515)
Overall with tailgate	375 (9,555)
Overall body tipped	410 (10,405)
Overloading height	150 (3,800)
Over outside front tire 23.5R25	118 (3,000)
Over outside front tire 750/65R25	126 (3,208)
Over mudguard	113 (2,860)
Over mirror operating position	138 (3,499)
Over outside rear tires 23.5R25	117 (2,990)
Over outside rear tires 750/65R25	117 (2,976)
Between inner tires	69 (1,740)
Over body	114 (2,895)
Ground clearance art. hinge	22 (567)
Ground clearance front axle	22 (549)
Ground clearance rear axle	21 (540)
Ground clearance body fully tipped	24 (610)
Overloading	37 (2,946)
Body w/o rock guard	135 (3,436)
Body with rock guard	141 (3,572)
Body fully tipped w/o rock guard	232 (5,885)
Body fully tipped with rock guard	246 (6,240)
Body tip	83 (2,100)
Front axle center to machine front	103 (2,605)
Front axle center to art. hinge	47 (1,200)
Art. hinge to rear axle center	150 (3,800)
Rear axle center to body tip	75 (1,910)
Front axle center to rear axle center	197 (5,000)
Wheelbase rear axle	70 (1,771)

Unit: in (mm)

DIMENSIONS	
Approach angle front	22.5°
Maximum body tip angle	70°
Maximum steering angle	45°
Front tie down height	34 (874)
Rear tie down height	46 (1,180)
Load height (SAE 2:1)	142 (3,600)
Inner turning radius	157 (3,995)
Outer turning radius	302 (7,680)
Outer wheel turning radius	318 (8,065)
Corridor width	208 (5,280)



HA30 STANDARD & OPTIONAL EQUIPMENT

●: Standard / ○: Optional

ENGINE

Electronically controlled, direct injected, water-cooled, turbocharger, air-to-air intercooler	●
Preheater for easier cold starts	●

HYDRAULIC SYSTEM

Variable displacement piston pump for steering and tipping	●
One return flow filter	●

BOD

Tailgate	●
Body lining (400 HB)	○
Side extension 8" (200 mm)/10" (250 mm)	○
Body heating kit	○

TIRES OPTIONS

Quarry	○
Earthmoving	○
Flotation tires	○

CAB & INTERIOR

Armrest at operator seat	●
Headrest at operator seat	●
Safety belt at operator and instructor seat	●
Adjustable steering column	●
All instrumentation in LCD display	●
Cigarette lighter	●
12 V and USB charging point	●
Retractable roller sunblind	●
Tinted safety glass	●
Sliding window (left and right side)	●
Windshield wiper and washer	●
Electrical adjustable heated mirror	●
Protection for rear window	●
Emergency steering, ground-driven	●
Radio/MP3 and Bluetooth	●
CB radio	○
Cab tilting system	●
Emergency shutdown switch	●
Anti-slip steps and platform	●
Cool box compartment	●
Storage room	●
Electronic climate control	●
High-comfort seat (vertical and longitudinal suspension)	●
Heated operator seat with 3" 2p belt	●
Heated seat with 2" 2p belt	○

SAFETY

Gradient meter with anti-flip-over protection system	●
Payload meter and cycle counter	●
Wet disc brake	●
Wheel block	○
LED main lights	○
Rear-view camera	●
Blue or orange flashing reverse light	○
HEPA filter package	○
Hammer for emergency escape	●
Seat belt green warning light	○
White noise alarm	○
Air inlet pre-cleaner	○
Protection for rear lights	○
Hand rails on the fenders	●

OTHER

Transmission retarder brake	●
Mud flaps	●
Towing hook, front and rear	●
Hi MATE telematic system	●
Work light kit (rear and front)	●
Load weighing system	●
Auto grease system (20 ℓ, Beka)	●
Auto grease system (6 ℓ, Beka)	○
Webasto heating system (heat up the cooling system)	○
Fire extinguisher	●
First aid kit	●
Fixed Beacon Light	●
Foldable Beacon Light	○
Light bar LED	○
Speed limitation	○
Work light kit (rear and front) LED	○
Tool kit	○
Warning triangle	○
Fast fill	○
Tire pressure monitoring system (may not be available with all tires)	○
Electrical diesel refueling pump	○
Electrical engine heater (230 V)	○
First maintenance kit	○
Artic oil	○
Sign light	○
Construction road sign	○

