

HD130 SPECIFICATIONS

Rated Power
157 hp (117 kW)
@ 2,200 rpm

Operating Weight
LGP Blade: 33,730 lb (15,300 kg)
XL Blade: 31,967 lb (14,500 kg)

Maximum Traction Force (ISO)
48,501 lbf (22,000 kgf)

ENGINE		
Make	Perkins	
Model	1204J	
Number of cylinders	4	
Output	SAE J1995 (gross)	157 hp (117.0 kW) @ 2,200 rpm
	J1349 (net)	146 hp (108.9 kW) @ 2,200 rpm
Maximum torque, SAE J1995 (net)	524 lbf-ft (72.4 kgf-m) @ 1,400 rpm	
Displacement	268.5 in ³ (4.4 ℓ)	
Bore and stroke	4.13" × 4.4" (105 mm × 127 mm)	
Starter	24 V, 10.5 hp (7.8 kW)	
Battery	2 × 12 V, 100 A	
Alternator	24 V, 100 A	
Air cleaner	Power core	

HYDRAULICS		
Axial Piston	variable displacement	
Main pump	34.8 gpm (132 ℓ/min.)	
Relief pressure (normal)	3,843 psi (265 kg/cm ²)	
HYDRAULIC CYLINDERS		
Number of cylinders. Bore × diameter × stroke*	Blade lift (2)	3.9 × 2.1 × 14.2 (100 × 50 × 362)
	Blade angle (2)	3.5 × 1.9 × 18.1 (90 × 50 × 461)
	Blade rotate (1)	4.3 × 2.5 × 5.5 (110 × 65 × 140)
	Ripper lift (1)	4.9 × 2.7 × 14.1 (125 × 70 × 362)

DRIVE SYSTEM	
Travel speed [low – high]	0–5.6 mph (0–9.0 km/h)
Max. traction force (drawbar pull)	48,501 lbf (22,000 kgf)
Max. grade	35° (70%)

REFILL CAPACITIES	
Fuel tank	70.5 gal (267 ℓ)
DEF tank	5 gal (19 ℓ)
Cooling system (radiator capacity)	11.8 gal (44.6 ℓ)
Engine oil	3.26 gal (12.35 ℓ)
Final drive (each side)	1.18 gal (4.5 ℓ)
Hydraulic tank	26.4 gal (100 ℓ)

UNDERCARRIAGE	
Upper rollers (each track)	2
Lower rollers (each track)	8
Number of shoes (links per side)	41

NOISE LEVELS	
Sound level (2000/14/EC)	106 dB (A)
Cabin sound level (ISO 6396)	76 dB (A)

* The piston rods and cylinder bodies are made of high-strength steel. A shock-absorbing mechanism is fitted in all cylinders to ensure shock-free operation and extended piston life.



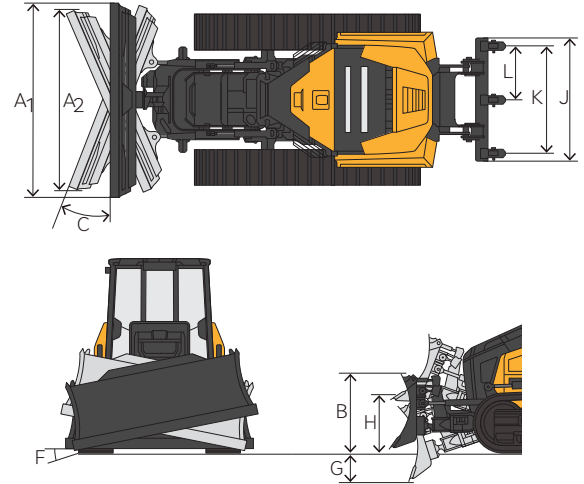
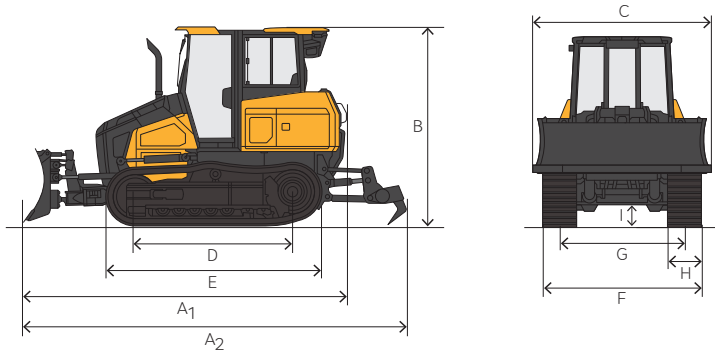
● Standard / ○ Option

EQUIPMENT*	
Audio	●
Smart Control (2DMC)	●
Trimble Ready	●
Rotating Beacon	●
ROPS/FOPS Cabin	●
Standard Track Guard	●
Full Track Guard	○
Forestry Cabin Guard (top and front)	○
Rear View Camera	●
Additional work lamp	○
Seat Belt Warning	●
30" (760 mm) LGP Shoe (with LGP blade)	●
22" (560 mm) XL Shoe (with XL blade)	○
Piping for Ripper	●
REAR ATTACHMENTS	
Towing Draw Bar	○
Ripper	○
TELEMATICS	
Hi MATE—Mobile 4G Type	●

* Standard and optional equipment may vary. Contact your Hyundai dealer for more information.

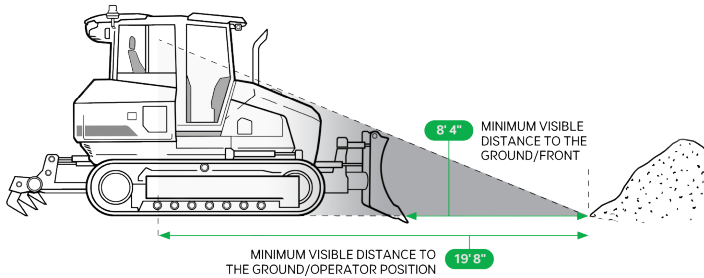


DIMENSIONS & WORKING RANGE HD130



DIMENSIONS		LGP BLADE	XL BLADE
A ₁	Overall shipping length	15' 7" (5,035)	
A ₂	Overall shipping length (w/ ripper)	19' 9" (6,030)	
B	Overall shipping height	10' 5" (3,180)	
C	Overall shipping width (blade straight)	12' 0" (3,655)	10' 2" (3,105)
D	Tumbler length	8' 11" (2,720)	
E	Overall track length	12' 1" (3,690)	
F	Undercarriage width	8' 9" (2,670)	7' 8" (2,330)
G	Track gauge width	6' 7" (2,000)	5' 10" (1,770)
H	Track grouser width	2' 6" (760)	1' 10" (560)
I	Ground clearance	1' 2" (355)	

WORKING RANGE		LGP BLADE	XL BLADE
	Blade capacity (SAE)	yd ³ (m ³)	5.46 (4.18) 4.63 (3.54)
A ₁	Blade width	11' 1" (3,370) 9' 5" (2,870)	
A ₂	Blade width at max. angle	9' 5" (2,863) 7' 11" (2,410)	
B	Blade height	3' 8" (1,115)	
C	Blade angle, max.	± 25°	
F	Blade rotate, max.	± 8°	
	Blade tilt (adjustable)*	54°-59°	
G	Blade digging depth	1' 4" (405)	
H	Blade clearance	3' 8" (1,110)	
	Ripper penetration, max.*	0' 11" (280)	
J	Ripper beam width	6' 5" (1,964)	
K	Ripper, cut width	5' 9" (1,740)	
L	Ripper, shank distance	2' 10" (870)	
	Operating weight (without ripper)	lb (kg)	33,730 (15,300) 31,970 (14,500)
	Rear ripper weight	1,909 (866)	
	Ground pressure	psi (kPa)	4.98 (34.3) 6.16 (42.2)



* Not shown on diagram



* The photos may include attachments and optional equipment that are not available in your area.
 * Materials and specifications are subject to change without advance notice.
 * All imperial measurements rounded off to the nearest pound or inch.
 * Specifications and features are subject to change without notice.

