

HD HYUNDAI
CONSTRUCTION EQUIPMENT

SPECIFICATIONS HL930A

Powered By Cummins Performance Series Engine



Photo may include optional equipment.

Net Power
130 hp (97 kW) at 2,200 rpm

Operating Weight
25,595 lb (11,610 kg) -
25,795 lb (11,700 kg)

Standard Bucket
2.50 yd³ (1.90 m³)

building a
comfortable
tomorrow

HL930A SPECIFICATIONS

ENGINE	
Model	Cummins B4.5
Type	Tier 4 Final, 4-cylinder diesel engine
Gross Power	133 hp (99 kW) @ 2,200 rpm
Net Power	130 hp (97 kW) @ 2,200 rpm
Max. Power	133 hp (99 kW) @ 2,200 rpm
Peak Gross Torque	467 lb ft (633 Nm) @ 1,200 rpm
Displacement	275 in ³ (4.5 l)
Compression Ratio	17.3:1
Alternator	Brushless, 24 V, 95 A
Battery	2 × 12 V × 100 Ah
Starting Motor	24 V, 7.8 kW

TRANSMISSION	
Torque Converter Type	Single-stage, single-phase
* Fully automatic power shift, countershaft type with soft-shift in range and direction. Properly matched torque converter to engine and transmission for excellent working ability	

Travel Speed		4-speed transmission	
Forward	1st	mph (km/h)	4.3 (6.9)
	2nd		7.9 (12.7)
	3rd		15.5 (24.9)
	4th		24.9 (40.4)
Reverse	1st	mph (km/h)	4.5 (7.3)
	2nd		8.3 (13.4)
	3rd		16.2 (24.9)

AXLES	
Drive System	Four-wheel drive
Mount	Rigid front axle and oscillating rear axle
Front Axle	Fixed
Rear Axle Oscillation	± 12° degrees
Hub Reduction	Planetary reduction at wheel end
Hydraulic	Locking front / conventional rear
Reduction Ratio	21.533

HYDRAULIC SYSTEM			
Type		Load sensing hydraulic system	
Pump		Variable displacement piston pump	
Flow Rate	gpm (ℓ/min)	34.9 (132)	
Control Valve		2-spool (bucket, boom) 3-spool (bucket, boom, aux)	
System Pressure	psi (bar)	3,980 (274)	
Maximum Operating Pressure	psi (bar)	3,980 (280) @ 2,230 rpm	
3rd Function	Rated Output Flow	gpm (ℓ/min)	35.9 (136)
Auxiliary Flow	Maximum Pressure	psi (bar)	427 (30)
Lift Circuit	The valve has four functions: raise, hold, lower and float. Can adjust automatic kickout from horizontal to full lift.		
Tilt Circuit	The valve has three functions: tilt back, hold and dump. Can adjust automatic bucket positioner to desired load angle.		

CYLINDERS			
Type		Double acting	
No. of Cylinders – Bore × Stroke	Lift (2)	ft in (mm)	3.9" × 2' 6" (100 × 762)
	Tilt (1)		4.3" × 1' 8" (110 × 508)
Cycle Times	Raise	sec	5.8
	Dump		1.5
	Lower		3.6
	Total		10.9

* Hyundai Bio Hydraulic Oil (HBHO) available

OVERVIEW		HL930A	HL930A XT
Operating Weight	lb (kg)	25,595 (11,610)	25,795 (11,700)
Bucket Capacity	Heaped	2.50 (1.90)	2.50 (1.90)
	Struck	2.10 (1.60)	2.10 (1.60)
Bucket Breakout Force	lbf (kgf)	20,175 (9,150)	20,000 (9,070)
Tipping Load	Straight	20,615 (9,350)	18,080 (8,200)
	Full Turn	18,125 (8,220)	15,655 (7,100)

BRAKES	
Service Brakes	Hydraulically actuated wet disk brakes actuate all 4 wheels independently. Axle-by-axle system. Self-adjusting and wheel-speed brake.
Travel Brake	Four-wheel, outboard, wet-disc type, fully hydraulic
Parking Brake	Spring-applied, hydraulically released brake
Emergency Brake	When brake oil pressure drops, indicator light alerts operator and parking brake automatically applies.

STEERING SYSTEM	
Type	Load-sensing hydrostatic articulated steering
Pump	Variable displacement piston pump, 34.9 gpm (132 ℓ/min)
Relief Valve Setting	3,046 psi (210 bar)
Cylinder Type	Double acting
No. of Cylinders – Bore × Stroke	2 – 2.4" × 1' 4" (60 × 406 mm)
Steering Angle	40° to both right and left
Features	Center-point frame articulation. Tilt and telescopic steering column.

SERVICE REFILL CAPACITIES	
Fuel Tank	50.0 (189.5)
DEF Tank	5.0 (19.0)
Cooling System	8.3 (31.5)
Crankcase	2.9 (11.0)
Transmission	gal (ℓ)
Front Axle	9.1 (34.5)
Rear Axle	6.1 (23.0)
Hydraulic Tank	6.1 (23.0)
Hydraulic System (including tank)	23.8 (90.0)
	34.3 (130.0)

CABIN	
ROPS / FOPS Cabin Meets ISO 3471 and ISO 3449	

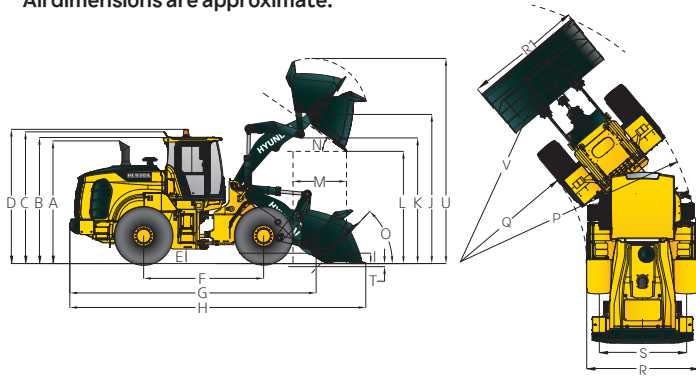
CAB NOISE LEVEL	
Guaranteed noise levels presented below can differ depending on a range of factors, such as operating conditions, cooling fan speed, engine type, and so forth. Hearing protection may be necessary if an operator is working in an improperly maintained cabin or exposed to a noisy environment by leaving doors and/or windows open.	
With cooling fan speed at maximum value:	
Operator sound pressure level (ISO 6396:2008)	70 dB(A)
Exterior sound power level* (ISO 6395:2008)	102 dB(A)

* Distance of 49.2 ft (15 m), moving forward in second gear ratio.	
--	--

TIRES	
Type	Tubeless, loader design tires
Standard	Triangle 17.5 R25, ★★, L3

HL930A DIMENSIONS

All dimensions are approximate.



Unit: ft in (mm)

Unit: ft in (mm)

DIMENSIONS	HL930A	HL930A XT
A Height to Top of Exhaust Pipe	9' 8" (2,945)	
B Height to Top of Cabin	10' 5" (3,175)	
C Height to Top of Product Link Antenna	10' 7" (3,226)	
D Height to Top of Warning Beacon	10' 10" (3,300)	
E Ground Clearance	1' 3" (381)	
F Wheelbase	9' 6" (2,900)	
G Overall Length (Without Bucket)	20' 0" (6,096)	20' 11" (6,380)
H Shipping Length (With Bucket Level on Ground)	23' 9" (7,137)	24' 4" (7,415)

DIMENSIONS	HL930A	HL930A XT
I Hinge Pin Height at Carry Position	1' 4" (405)	1' 7" (495)
J Hinge Pin Height at Maximum Lift	11' 11" (3,640)	13' 1" (3,980)
K Lift Arm Clearance at Maximum Lift	10' 3" (3,125)	11' 4" (3,465)
L Dump Clearance at Maximum Lift and 45° Discharge	8' 10" (2,700)	9' 11" (3,035)
M Reach at Maximum Lift and 45° Discharge	3' 6" (1,065)	3' 5" (1,035)
N Dump Angle at Maximum Lift and Dump (on Stops)	48°	48°
O Roll Back Angle	Ground	42°
	Carry	47°
P Clearance Circle (Diameter) to Outside of Tires	34' 8" (10,555)	
Q Clearance Circle (Diameter) to Inside of Tires	18' 9" (5,710)	
R Width Over Tires (Unloaded)	7' 10" (2,375)	
R1 Overall Width (with bucket)	8' 0" (2,450)	
S Tread Width	6' 4" (1,930)	

OPERATING SPECIFICATIONS WITH BUCKETS

Linkage	General Purpose Pin On				ISO Quick Coupler		XT Boom Lift Linkage
	Bolt-On Cutting Edges		Bolt-On Teeth	Bolt-On Cutting Edges			
Bucket Type							
Edge Type							
Capacity—Rated	yd ³	2.50 (1.90)	2.40 (1.80)	2.50 (1.90)	—		
Capacity—Rated at 110% Fill Factor	m ³	2.70 (2.10)	2.60 (2.00)	2.70 (2.10)	—		
Width		8' 0" (2,450)	8' 2" (2,480)	8' 0" (2,450)	—		
Dump Clearance at Maximum Lift and 45° Discharge		8' 10" (2,700)	8' 7" (2,620)	8' 4" (2,550)	1' 1" (335)		
Reach at Maximum Lift and 45° Discharge		3' 6" (1,065)	3' 9" (1,145)	3' 11" (1,205)	-1.2' (-30)		
T Digging Depth	ft in (mm)	0' 4" (105)	0' 5" (115)	0' 4" (105)	0.6" (15)		
H Shipping Length (with Bucket)		23' 5" (7,125)	23' 9" (7,240)	24' 1" (7,330)	11.4" (290)		
U Overall Height with Bucket at Maximum Lift		15' 11" (4,855)	15' 11" (4,855)	16' 4" (4,990)	1' 1" (340)		
V Loader Clearance Circle		38' 3" (11,660)	38' 7" (11,750)	38' 8" (11,780)	11" (280)		
Static Tipping Load, Straight (No Tire Deflection)		20,065 (9,100)	20,440 (9,270)	18,520 (8,400)	-1,980 (-900)		
Static Tipping Load, Articulated (No Tire Deflection)		17,637 (8,000)	17,970 (8,150)	16,275 (7,380)	-1,980 (-900)		
Breakout Force	lb (kg)	20,175 (9,150)	21,540 (9,770)	16,800 (7,620)	-175 (-80)		

BUCKET SELECTION CHART

Type	yd ³ (m ³)	Material Density, ton/yd ³ (t/m ³)																	
		0.84 (1.0)	0.93 (1.1)	1.01 (1.2)	1.1 (1.3)	1.18 (1.4)	1.26 (1.5)	1.35 (1.6)	1.43 (1.7)	1.52 (1.8)	1.6 (1.9)	1.69 (2.0)	1.77 (2.1)	1.85 (2.2)	1.94 (2.3)	2.02 (2.4)	2.11 (2.5)		
Standard Lift Arm—General Purpose Bucket																			
Bolt-On Cutting Edge	2.5 (1.9)	2.5 yd ³ (1.9 m ³)							2.0 yd ³ (1.5 m ³)										
Bolt-On Teeth	2.4 (1.8)								2.4 yd ³ (1.8 m ³)					1.9 yd ³ (1.45 m ³)					
Cutting Edge (ISO Quick Coupler)	2.5 (1.9)	2.5 yd ³ (1.9 m ³)							2.0 yd ³ (1.5 m ³)										
High Lift Arm (XT)—General Purpose Bucket																			
Bolt-On Cutting Edge	2.5 (1.9)	1.9 m ³ (2.5 yd ³)				1.5 m ³ (2.0 yd ³)													
Bolt-On Teeth	2.4 (1.8)					1.8 m ³ (2.4 yd ³)							1.45 m ³ (1.9 yd ³)						
Cutting Edge (ISO Quick Coupler)	2.5 (1.9)	1.9 m ³ (2.5 yd ³)				1.5 m ³ (2.0 yd ³)													

115% 100% 95%

ENGINE	
ENGINE, CUMMINS, B4.5	
3-Stage air precleaner	●
Alternator, 95 A	●
Fuel warmer	●
Engine oil level dipstick gauge	●
Fuel / water separator	●
VGT (Variable Geometry Turbo)	●
CLEAN EMISSION MODULE	
DOC, DPF and SCR	●
Tier 4 Final	●
EGR Free	●
COOLING SYSTEM	
Auto reversing fan (adjustable time/interval frequencies) with manual override	●
Coolant-level sight gauge	●
Fan guard	●
Wide-fin radiator	●
POWER TRAIN	
TRANSMISSION	
Transmission F4/R3, computer controlled, electronic soft shift, auto-shift and kickdown features included	●
Transmission F4/R3	○
Wide-fin transmission oil cooler	●
AXLE	
Front differential lock / Rear conventional Axle	●
Front differential lock / Rear LSD Axle	○
BRAKE	
Parking brake	●
Service brake (enclosed wet-disc)	●
TIRES	
Triangle 17.5 R25, ★★, L3	●
HYDRAULIC SYSTEM	
Diagnostic pressure taps	●
Hyundai bio hydraulic oil (VG46)	○
Hydraulic oil-level sight gauge	●
Hydraulic oil VG32	○
Hydraulic oil VG46	●
Wide-fin hydraulic oil cooler	●
HYDRAULIC CONTROL	
Joystick	●
Fingertip	●
ELECTRO-HYDRAULIC CONTROL	
Boom kickout, automatic	●
Bucket positioner, automatic	●
Extra piping for auxiliary function	●
3-lever fingertip	○
Joystick	●
Quick coupler piping	●
Ride control system	●
CABIN & INTERIOR	
ALARMS, AUDIBLE AND VISUAL	
Transmission oil temperature	●
GAUGES	
Diesel Exhaust Fluid (DEF) level	●
Engine coolant temperature	●
Fuel level	●
Horn, electric	●
Speedometer	●
Transmission oil temperature	●
INDICATOR LIGHTS	
Clutch cutoff	●
Differential Lock	●
Engine auto stop	●
FNR	●

CABIN & INTERIOR	
INDICATOR LIGHTS	
High beam	●
Parking brake	●
Pilot cutoff	●
Ride control	●
Seatbelt ON/OFF	●
Turning light	●
LCD DISPLAY	
Clock and fault code	●
DEF level	●
DEF low level	●
Engine rpm	●
Horn, electric	●
Job time and distance	●
Operating hour counter	●
Transmission gear range	●
BATTERIES	
850 CCA, 12 V, 2 PCS	●
LIGHTING SYSTEM	
Brake lights (counterweight)	●
LED dome light	●
2 headlights on front tower	●
2 headlights (LED) on front tower	○
2 stop and tail lights	●
4 turn signals	●
4 working lights on front roof	●
2 working lights on rear roof	●
4 working lights (LED) on front roof	○
2 working lights (LED) on rear roof	○
2 working lights on grille	●
2 working lights (LED) on grille	○
SWITCHES	
Battery master switch	●
Differential lock	●
Emergency steering	○
FNR shifter	●
Hazard	●
Parking	●
Pilot cutoff	●
SYSTEM MEMORY SETTINGS	
Autolube, integrated in secondary display	○
Auto position	○
Beacon light	○
Fine modulation	●
Main light	●
Mirror heat	●
Quick coupler	●
Rear wiper	●
Ride control	●
Work light	●
Work load	●
IGNITION	
Key	●
Push start button	○
CABIN (SOUND SUPPRESSED)	
24 V to 12 V DC converter (20 A)	●
Coat hook	●
Magazine pocket	●
One door cab	●
Radio / USB player	●
Roller type sunshade (front window)	●
ROPS / FOPS cabin	●
Rubber floor mat	●
Steering column, tilt and telescopic	●
Steering wheel with knob	●
Tinted safety glass	●
Wrist rest	●

CABIN & INTERIOR	
DOOR	
Door and cab locks, one key	●
Doors, service access (locking)	●
Doors, service access (remote control)	○
AUTOMATIC CLIMATE CONTROL	
Air conditioner and heater	●
Defroster	●
Intermittent wiper and washer, front and rear	●
SEAT	
Adjustable, heated, air-suspension seat with 3" retractable seatbelt	●
PERSONAL STORAGE SPACE	
Console box	●
Holder, can, and cup	●
PEDALS	
Accelerator pedal without ECO switch	●
One accelerator pedal	●
One brake pedal	●
Dual-brake pedal	○
SAFETY	
Alarm, backup	●
Boom safety lock	○
Emergency steering	○
Emergency stop	●
Fire extinguisher	○
AAVM (All Around View Monitoring)	○
IMOD (Intelligent Moving Object Detection)	○
RADAR + secondary monitor	○
OTHERS	
2nd monitor	○
3-spool MCV	●
Air compressor	○
Auto engine shut down	●
Auto grease system	○
Articulation locking bar	●
Heavy counterweight	●
ISO quick coupler	●
LED beacon lamp	○
License plate and 10 W LED lamp	○
Lift and tie-down hooks	●
Loader linkage, sealed	●
Sun shade on rear window of cabin	○
Vandalism protection caplocks	●
Wheel chocks	○
SAFETY	
Handrails	●
Ladders	●
Platforms	●
Steps	●
TELEMATICS	
ECD (Engine Connected Diagnostics)	●
Hi MATE—Mobile (4G)	●
Hi MATE—Satellite	○
GUARDS	
Belly-pan guard	○
Crankcase	●
Fenders (front)	●
Fenders (rear)	○
Transmission	●
Cabin front and rear guard	○

* Standard and optional equipment may vary. Contact your Hyundai dealer for more information. The machine may vary according to International standards.
 * The photos may include attachments and optional equipment that are not available in your area.
 * Materials and specifications are subject to change without advance notice.
 * All imperial measurements rounded off to the nearest pound or inch.



6100 Atlantic Blvd., Norcross, GA 30071
 TEL (678) 823-7777 FAX (678) 823-7778



Printed in U.S.A.



HL930A-WL-SP 11/2024 ASV7