

SPECIFICATIONS HW250A MH

Powered By Cummins Performance Series Engine



Net Power

SAE J1349
170 hp (127 kW)
at 2,200 rpm

Straight Boom

21' 4" (6.5 m)
Arm
14' 9" (4.5 m)

Operating Weight

58,422 lb (26,500 kg)

ENGINE		
Maker / Model	Cummins B6.7	
Type	4-cycle turbocharged, charged air, cooled diesel engine	
Rated flywheel power	J1995 (gross)	173 hp (129 kW) at 2,200 rpm
	SAE J1349 (net)	170 hp (127 kW) at 2,200 rpm
Max. torque	650 lb·ft (881 Nm) at 1,300 rpm	
Piston displacement	409 in ³ (6700 cc)	
Batteries	2 × 12 V × 100 Ah	
Starting motor	24 V, 4.8 kW	
Alternator	24 V, 95 A	

HYDRAULIC SYSTEM	
MAIN PUMP	
Type	Variable displacement tandem axis piston pumps
Max. flow	2 × 55 gpm (2 × 208 l /min)

CROSS-SENSING AND FUEL-SAVING PUMP SYSTEM	
HYDRAULIC MOTORS	
Travel	Two-speed axial pistons motor with brake valve and parking brake
Swing	Axial piston motor with automatic brake

RELIEF VALVE SETTING	
Implement circuits	4,980 psi (350 kgf/cm ²)
Travel	5,400 psi (380 kgf/cm ²)
Power boost (boom, arm, bucket)	5,400 psi (380 kgf/cm ²)
Swing circuit	3,770 psi (265 kgf/cm ²)
Pilot circuit	570 psi (40 kgf/cm ²)
Service valve	Installed

HYDRAULIC CYLINDERS	
No. of cylinder-bore × stroke	Boom: 2-4.72 × 50.2 in (120 × 1,275 mm)
	Arm: 2-4.53 × 44.8 in (115 × 1,138 mm)
	Outrigger: 4-5.12 × 17.17 in (130 × 436 mm)

DRIVES & BRAKES	
Drive method	Fully hydrostatic type
Drive motor	Axial piston motor, in-shoe design
Reduction system	Planetary reduction gear
Max. drawbar pull	25,570 lbf (11,600 kgf)
Max. travel speed (high / low)	21.7 mph (35 km/h) / 5.65 mph (9.1 km/h)
Gradeability	33° (65%)

Service Brake :
 - Independent dual brake, front and rear axle full hydraulic power brake.
 - Spring released and hydraulic applied wet type multiple disc brake.
 Parking Brake :
 - Spring applied and hydraulic released wet disc brake type in transmission.

CONTROL	
Pilot pressure operated joysticks and pedals with detachable lever provide almost effortless and fatigueless operation.	
Pilot control	Two joysticks with one safety lever (LH): Swing and arm (RH): Boom * ISO pattern setting
Traveling and steering	Two levers with pedals
Engine throttle	Electric, Dial type

OPERATING WEIGHT (APPROXIMATE)	
Operating weight including 21' 4" (6.5 m) Straight boom, 14' 9" (4.5 m) Gooseneck arm, Front & rear outrigger, Lubricant, Coolant, Full Fuel Tank and Hydraulic Tank and etc.	

OPERATING WEIGHT	
Front and rear outrigger without grapple	58,420 lb (26,500 kg)
Front and rear outrigger with factory installed grapple	61,510 lb (27,900 kg)

SWING SYSTEM	
Swing motor	Fixed displacement axial piston motor
Swing reduction	Planetary gear reduction
Swing bearing lubrication	Grease-bathed
Swing brake	Multi wet disc
Swing speed	10.7 rpm

SERVICE REFILL CAPACITIES		
Re-filling	gal	liter
Fuel tank	81.9	310.0
Engine coolant	10.6	40
Engine oil	6.4	24.4
Swing device	1.6	6.2
Axle	Front	3.9
	Rear	4.9
Hydraulic system (including tank)	89.8	340.0
Hydraulic tank	43.6	165.0
DEF/AdBlue®	12.6	48

UNDERCARRIAGE	
Reinforced box-section frame is all-welded, low-stress.	
Front and Rear Outriggers	Provide max. operation stability when lifting



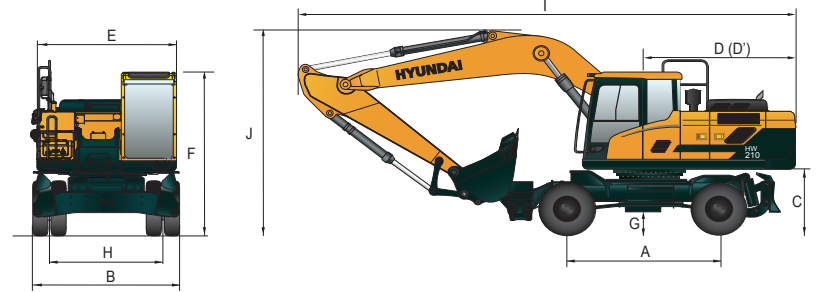
SPECIFICATIONS HW250A MH

Powered By Cummins Performance Series Engine

HW250A MH DIMENSIONS

UNIT: FT-IN (MM)

21' 4" (6.5 m) Straight boom, 14' 9" (4.5 m) Gooseneck Arm



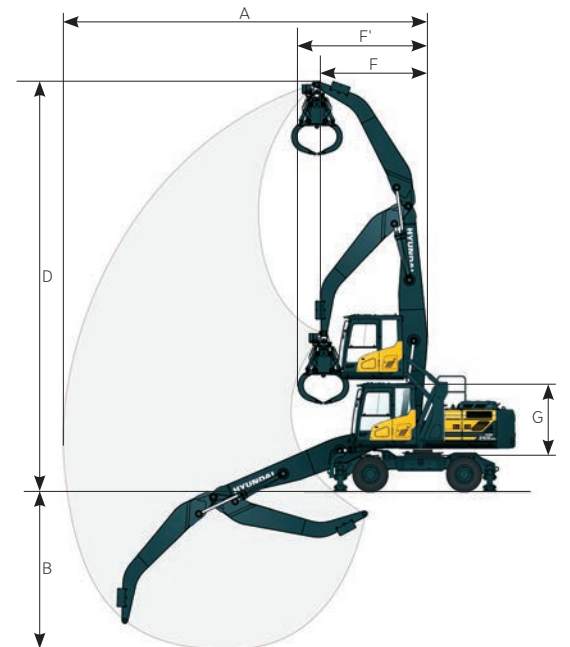
A	Wheel base	9' 2" (2,800)
B	Short Axle	8' 4" (2,530)
	Wide Axle (Standard)	8' 12" (2,750)
C	Ground clearance of counterweight	4' 3" (1,295)
D	Rear-end distance	8' 12" (2,733)
D'	Rear-end swing radius	8' 12" (2,733)
E	Upperstructure width	8' 4" (2,530)
F	Overall height of cab	10' 8" (3,260)
G	Min. ground clearance	1' 2" (353)
H	Tread	6' 3" (1,914)

Boom length	21' 4" (6,500)
Arm length	14' 9" (4,500)
I Overall length (Shipping position)	31' 8" (9,650)
J Overall height of boom (Traveling position)	10' 5" (3,180)
K Overall height of guardrail	10' 11" (3,330)

HW250A MH WORKING RANGE

UNIT: FT-IN (MM)

Boom length	21' 4" (6,500)	
Arm length	Gooseneck Arm	Straight Arm (Optional)
	14' 9" (4,500)	13' 1" (4,000)
A Max. reach	35' 1" (10,700)	34' 1" (10,400)
B Max. depth	13' 1" (3,980)	11' 2" (3,400)
D Max. height	39' 8" (12,100)	39' 4" (12,000)
F Min. swing radius (without grapple)	8' 10" (2,700)	8' 10" (2,700)
F' Min. swing radius (with HCE grapple)	9' 10" (3,000)	9' 10" (3,000)
G Cab Riser Height	8' 2" (2,500)	8' 2" (2,500)



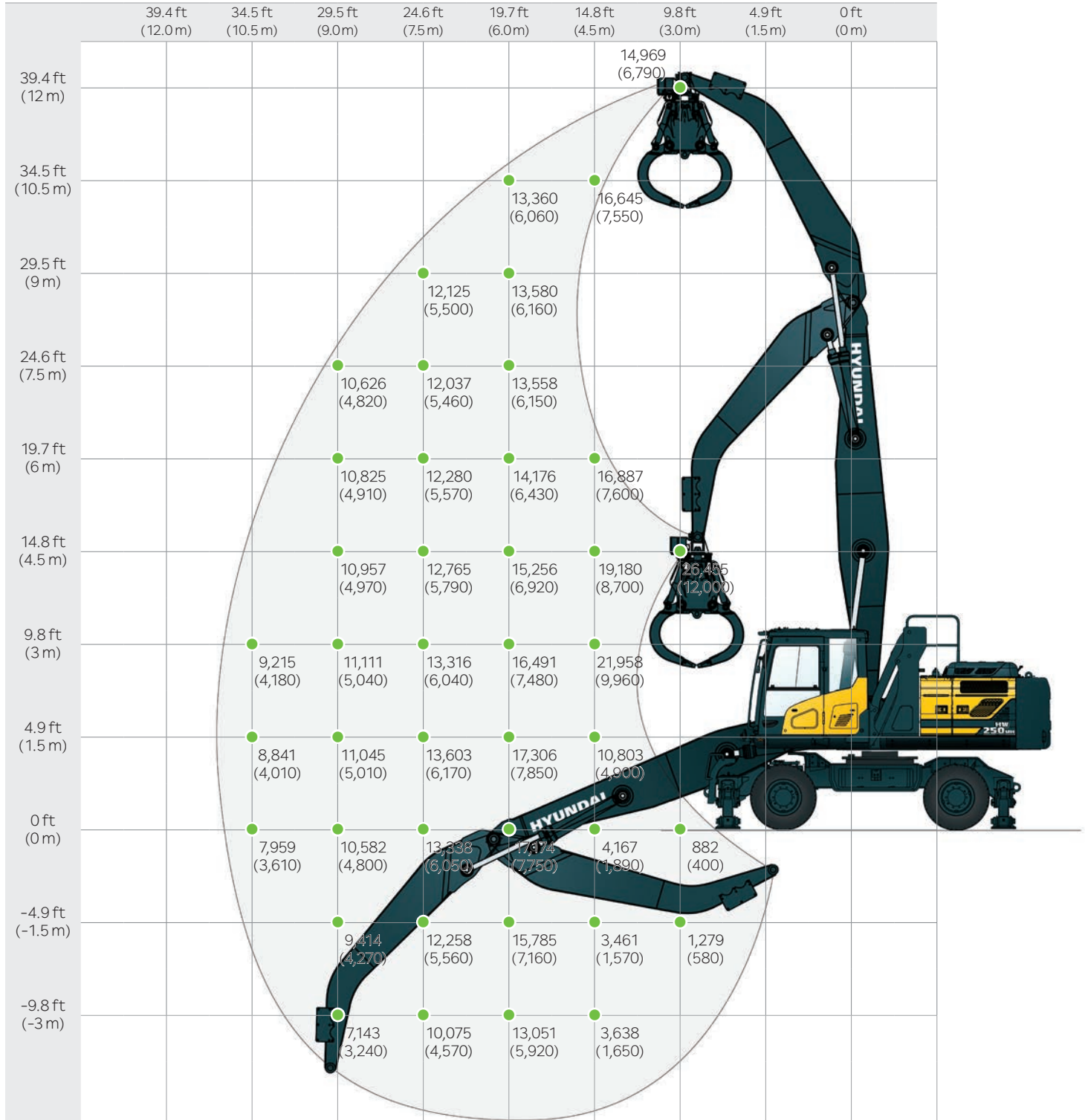
SPECIFICATIONS HW250A MH

Powered By Cummins Performance Series Engine

HW250A MH LIFTING CHART

Units: lb (kg)

21' 4" (6.5 m) Mono boom, 14' 9" (4.5 m) Gooseneck arm



NOTES:

1. Lifting capacity is based on SAE J1097, ISO 10567. Without Grapple.
2. Load point is the end pin point of front attachment.
3. Lifting capacity does not exceed 75% of tipping load or 87% of hydraulic capacity.
4. Lifting capacity is based on 350 bar system pressure therefore power boost mode may provide more lifting capacity.
5. All lifting capacity is based on over front side.

SPECIFICATIONS HW250A MH

Powered By Cummins Performance Series Engine

●: Standard / ○: Option

ENGINE

Cummins B6.7 engine ●

HYDRAULIC SYSTEM

Electric Positive Flow Control (EPFC)

Three power modes, two work modes, user mode ●

Variable power control ●

Pump flow control ●

Attachment mode flow control ●

Engine auto idle ●

Engine auto shutdown control ●

Electronic fan control ●

CAB & INTERIOR

ISO Standard cabin

Rise-up type windshield wiper ●

Radio / USB player ●

Hands free mobile phone system with USB ●

12 volt power outlet (24 V DC to 12 V DC converter) ●

Electric horn ●

All-weather steel cab with 360° visibility ●

Safety glass windows ●

Sliding fold-in front window ●

Sliding side window (LH) ●

Lockable door ●

Hot and cool box ●

Storage compartment ●

Transparent cabin roof cover ●

Sun visor ●

Door and cab locks, one key ●

Pilot-operated slidable joystick ●

Console box height adjust system ●

Automatic climate control

Air conditioner and heater ●

Defroster ●

Starting aid (air grid heater) for cold weather ●

Centralized monitoring

8" LCD display ●

Engine speed or trip meter/accel. ●

Engine coolant temperature gauge ●

Max power ●

Low speed/high speed ●

Auto idle ●

Overload ●

Check engine ●

Air cleaner clogging ●

Indicators ●

ECO gauges ●

Fuel level gauge ●

Hydraulic oil temperature gauge ●

Fuel warmer ●

Warnings ●

Communication error ●

Low battery ●

Clock ●

Seat

Adjustable air suspension seat with heater ●

Cabin FOPS/FOG

FOPS (Falling Object Protective Structures) - ISO 3449 Level 2 ○

FOG (Falling Object Guard) ○

Cabin ROPS

ROPS (Roll Over Protective Structures) ●

Cabin front window rain guard ○

Cabin roof-steel cover ○

SAFETY

Battery master switch ●

Rear view camera ●

AAVM (Advanced Around View Monitoring) ○

Four front working lights (2 boom mounted, 2 front frame mounted) ●

Travel alarm ●

Rear work lamp on counterweight ○

Beacon lamp ○

Automatic swing brake ●

Boom holding system ○

Arm holding system ○

Safety lock valve for boom cylinder with overload warning device ○

Safety lock valve for arm cylinder ○

Swing lock system ○

Four outside rearview mirror ●

OTHER

Booms

21' 4" (6.5 m) straight boom ●

Arms

13' 1" (4.0 m) straight ○

14' 9" (4.5 m) gooseneck ●

Removable clean-out dust net for cooler ●

Fuel pre-filter ●

Fuel warmer (single) ●

Self-diagnostics system ●

Hi MATE-Mobile ●

Hi MATE-Satellite ○

Batteries (2 × 12 V × 100 Ah) ●

Piping circuit for grapple to open/close and rotate ●

Accumulator for lowering work equipment ●

Pattern change valve (2 patterns) ●

Fine Swing Control System ○

Travel pedal (2-way) ○

UNDERCARRIAGE

Front and rear outrigger ●

Tires-dual (10.00-20-16PR tube) ●

Tires-dual (10.00-20 solid) ○

* Standard and optional equipment may vary. Contact your Hyundai dealer for more information. The machine may vary according to International standards.

* The photos may include attachments and optional equipment that are not available in your area.

* Materials and specifications are subject to change without advance notice.

* All imperial measurements rounded off to the nearest pound or inch.



6100 Atlantic Blvd., Norcross, GA 30071
TEL (678) 823-7777 FAX (678) 823-7778



Printed in U.S.A.

building a comfortable tomorrow

HW250AMH EX SP 12/2024 ASv2