

SPECIFICATIONS

HX180A L

Powered By Cummins Performance Series Engine



HD HYUNDAI CONSTRUCTION EQUIPMENT

Net Power
152 HP (113 kW)
/ 2,200 rpm

Standard Bucket
.73 m³ / .95 yd³

Operating Weight
40,570 lbs (18,400 kg)

OPERATING WEIGHT (APPROXIMATE)

Operating weight, including 5.1 m (16' 9") boom, 2.6 m (8' 6") arm, SAE heaped 0.73 m³(0.95 yd³) bucket, lubricant, coolant, full fuel tank, full hydraulic tank, and all standard equipments.

OPERATING WEIGHT

Shoes		Operating Weight		Ground Pressure
Type	Width mm (in)	kg (lb)		kgf / cm ² (psi)
Triple grouser	500 (20")	HX180A L	18,140 (39,990)	0.50 (7.13)
		HX180A L Dozer	19,235 (42,410)	0.53 (7.56)
	600 (24")	HX180A L	18,400 (40,570)	0.42 (6.03)
		HX180A L Dozer	19,505 (43,000)	0.45 (6.39)
	700 (28")	HX180A L	18,665 (41,150)	0.37 (5.24)
		HX180A L Dozer	19,780 (43,610)	0.39 (5.55)
800 (32")	HX180A L	18,920 (41,710)	0.33 (4.65)	
	HX180A L Dozer	19,985 (44,060)	0.35 (4.91)	

SWING SYSTEM

Swing motor	Fixed displacement axial piston motor
Swing reduction	2 - stage planetary
Swing bearing lubrication	Grease-bathed
Swing brake	Multi wet disc
Swing speed	10.3 rpm

COOLANT & LUBRICANT CAPACITY

	US gal	liter
Fuel tank	76.6	290
Engine coolant	6.1	23
Engine oil	2.9	11
Swing device	1.6	6.2
Final drive (Each)	1.6	6
Hydraulic system (Including tank)	59.4	225
Hydraulic tank	33.0	125
Def/Adblue®	9.2	35

UNDERCARRIAGE

The X-leg type center frame is integrally welded with reinforced box-section track frames. The undercarriage includes lubricated rollers, idlers, track adjusters with shock absorbing springs and sprockets, and a track chain with double or triple grouser shoes.

Center frame	X-Leg Type
Track frame	Pentagonal Box Type
No. of Shoes on each side	49
No. of Carrier roller	2 x 2
No. of Track roller	2 x 7
No. of Rail guard	2 x 1

CAB NOISE LEVEL

Guaranteed noise level presented below can be differed depending on a range of factors such as operating condition, speed of a cooling fan, types of engine and so forth. Hearing protection may be necessary if an operator is working in the improperly aintained cabin or exposed to a noisy environment by leaving doors and/or windows open. With cooling fan speed at maximum value:

Operator sound pressure level (ISO 6396:2008)	71 dB(A)
Exterior sound power level (ISO 6395:2008)	99 dB(A)

* Distance of 15 m (49.2 ft), moving forward in second gear ratio

ENGINE

Maker / Model	Cummins B4.5	
Type	Tier 4F/ Stage V Emission Certified, 4 cylinder diesel engine with no manual regeneration.	
Rated flywheel horse power SAE	J1995 (gross)	115 kW (155 HP) at 2,200 rpm
	J1349 (net)	113 kW (152 HP) at 2,200 rpm
Max. torque	115 kW (155 hp) at 2,000 rpm	
Peak torque	712 N·m (525 lb·ft) at 1,200 rpm	
Displacement	4.5 ℓ(275 cu in)	

HYDRAULIC SYSTEM

MAIN PUMP

Type	Variable displacement tandem axis piston pumps
Max. flow	2 x 160 lpm (42.3 U.S. gpm)

AUXILIARY PRESSURE

2 Way	Flow (l/min)	13~85 gpm / (50~320 lpm)
	Pressure (bar)	1,450~5,076 psi / (100~350 bar)
Rotating	Flow (l/min)	11 gpm / (39.9 lpm)
	Pressure (bar)	2,321 psi / (160 bar)

PILOT PUMP

Type	Fixed displacement gear pump single stage
Max. flow	29 ℓ/min (7.7 U.S. gpm)

HYDRAULIC MOTORS

Travel	Variable displacement axial piston motor
Swing	Fixed displacement axial piston motor

RELIEF VALVE SETTING

Implement circuits	350 kgf/cm ² (4,980 psi)
Travel	350 kgf/cm ² (4,980 psi)
Power boost (Boom, Arm, Bucket)	380 kgf/cm ² (5,410 psi)
Swing circuit	285 kgf/cm ² (4,060 psi)
Pilot circuit	40 kgf/cm ² (569 psi)
Service valve	Installed

HYDRAULIC CYLINDERS

No. of Cylinder Bore X Stroke	Boom : 2-Ø115 x 1,090 mm
	Arm :1-Ø120 x 1,355 mm
	Bucket : 1-Ø110 x 995 mm
	Blade : 2-Ø110 x 320 mm

* Hyundai Bio Hydraulic Oil (HBHO) available.

DRIVES & BRAKES

Drive method	Fully hydrostatic type
Drive motor	Axial piston motor, in-shoe design
Reduction system	Planetary reduction gear
Max. Drawbar pull	16,700 kgf (36,820 lbf)
Max. Travel speed (High / Low)	3.1 km/hr (1.9 mph) / 5.4 km/hr (3.4 mph)
Gradeability	35°(70%)
Parking brake	Multi wet disc

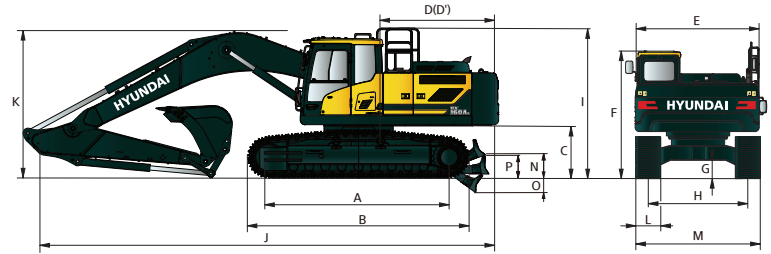
CONTROL

Pilot pressure operated joysticks and pedals with detachable lever provide almost effortless and fatiguelss operation.

Pilot Control	Two joysticks with one safety lever (LH) : Swing and arm, (RH) : Boom and bucket
Traveling and Steering	Two levers with pedals
Engine throttle	Electric, dial type

SPECIFICATIONS HX180A L

Powered By Cummins Performance Series Engines



HX180A DIMENSIONS

Unit: ft-in (mm)

5.10 m (16' 9") BOOM and 2.20 m (7' 3"), 2.60 m (8' 6"), 3.10 m (10' 2") ARM

A	Tumbler Distance	11' 0"	(3,360)
B	Overall Length of Crawler	13' 5"	(4,100)
*C	Ground Clearance of Counter Weight	3' 6"	(1,060)
D	Tail Swing Radius	8' 2"	(2,490)
D'	Rear-End Length	8' 2"	(2,490)
E	Overall Width of Upper Structure	8' 1"	(2,475)
*F	Overall Height of Cab	9' 9"	(2,980)
*G	Min. Ground Clearance	1' 6"	(460)
H	Track gauge	7' 5"	(2,250)
*I	Overall Height of Guardrail	10' 8"	(3,250)

* This figure includes the size of grouser.

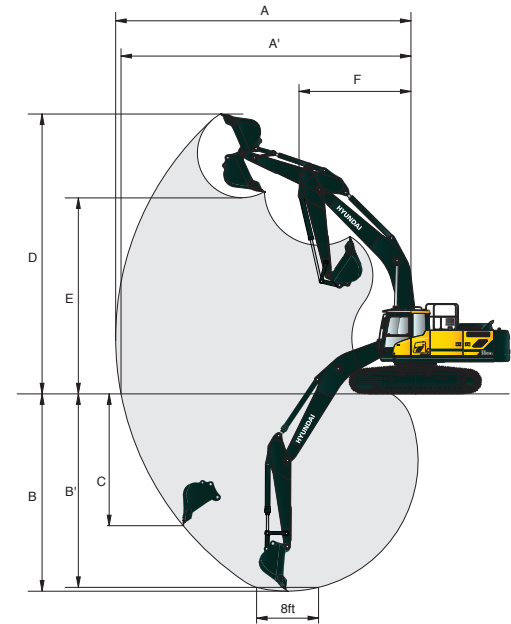
** With dozer blade option

Boom Length	5,100 (16' 9")		
Arm Length	2,200 (7' 3")	2,600 (8' 6")	3,100 (10' 2")
J Overall Length	8,660 (28' 5")	8,650 (28' 5")	8,670 (28' 5")
*K Overall Height of Boom	3,040 (10' 0")	3,030 (9' 11")	3,195 (10' 6")
L Track Shoe	500 (20")	600 (24")	700 (28") 800 (32")
M Overall Width	2,490 (8' 2")	2,590 (8' 6")	2,690 (8' 10") -
**N Ground clearance of blade up	615 (2' 0")		
**O Depth of blade down	670 (2' 2")		
**P Height of blade	640 (2' 1")		

HX180A WORKING RANGE

Unit: ft-in (mm)

Boom Length	5,100 (16' 9")		
Arm Length	2,200 (7' 3")	2,600 (8' 6")	3,100 (10' 2")
A Max. Digging Reach	8,690 (28' 6")	9,020 (29' 7")	9,450 (31' 0")
A' Max. Digging Reach on Ground	8,530 (28' 0")	8,860 (29' 1")	9,300 (30' 6")
B Max. Digging Depth	5,630 (18' 6")	6,030 (19' 9")	6,530 (21' 5")
B' Max. Digging Depth (8' Level)	5,410 (17' 9")	5,825 (19' 1")	6,340 (20' 10")
C Max. Vertical Wall Digging Depth *	3,410 (11' 2")	3,600 (11' 10")	3,845 (12' 7")
D Max. Digging Height	8,670 (28' 5")	8,750 (28' 8")	8,880 (29' 2")
E Max. Dumping Height	6,140 (20' 2")	6,250 (20' 6")	6,410 (21' 0")
F Min. Swing Radius	3,180 (10' 5")	3,170 (10' 5")	3,160 (10' 4")



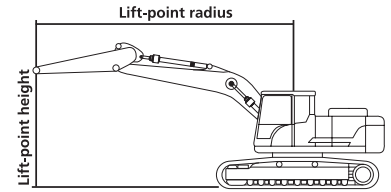
HX180A DIGGING FORCE

Boom	Length	mm (ft-in)	5,100 (16' 9") Mono Boom			Remark
	Weight	kg (lb)	1,277 (2,810)			
Arm	Length	mm (ft-in)	2,200 (7' 3")	2,600 (8' 6")	3,100 (10' 2")	
	Weight	kg (lb)	807 (1,780)	860 (1,900)	888 (1,960)	
Bucket Digging Force	SAE	kN	108.0 [117.0]	108.0 [117.0]	108.0 [117.0]	
		kgf	10,987 [11,930]	10,004 [11,950]	11,006 [11,950]	
		lbf	24,222 [26,301]	24,259 [26,345]	24,264 [26,345]	
	ISO	kN	126.0 [137.0]	126.0 [137.0]	126.0 [137.0]	
		kgf	12,872 [13,980]	12,892 [14,000]	12,894 [14,000]	
		lbf	28,379 [30,821]	28,421 [30,865]	28,427 [30,865]	
Arm Crowd Force	SAE	kN	87.0 [95.0]	77.0 [84.0]	69.0 [75.0]	[]: Power Boost
		kgf	8,889 [9,650]	7,879 [8,550]	7,035 [7,640]	
		lbf	19,596 [21,275]	17,370 [18,850]	15,510 [16,843]	
	ISO	kN	92.0 [99.0]	81.0 [88.0]	72.0 [78.0]	
		kgf	9,339 [10,140]	8,237 [8,940]	7,314 [7,940]	
		lbf	20,590 [22,355]	18,158 [19,709]	16,124 [17,505]	

Note : Boom weight includes arm cylinder, piping, and pin
Arm weight includes bucket cylinder, linkage, and pin

SPECIFICATIONS HX180AL

Powered By Cummins Performance Series Engines



Lifting Capacity (Without Dozer)

Boom: 5.1 m (16' 9")
Arm: 2.60 m (8' 6")
Shoe 600 mm (24") triple grouser
CWT 3,250 kg (7,170 lb)

Capacities based on North American Standard Configuration
in accordance with ISO condition 2 standard.

Rating over front

Rating over side or 360 degrees

Lift-point height (A)		Lift-point radius (B)										At max. reach		
		1.5 m (4.9 ft)		3.0 m (9.8 ft)		4.5 m (14.8 ft)		6.0 m (19.7 ft)		7.5 m (24.6 ft)		Capacity		Reach
														m (ft)
7.5 m (24.6 ft)	kg lb											*3410 *7520	*3410 *7520	4.85 (15.9)
6.0 m (19.7 ft)	kg lb						*3840 *8470	*3840 *8470				*2970 *6550	*2970 *6550	6.27 (20.6)
4.5 m (14.8 ft)	kg lb					*4870 *10740	*4870 *10740	*4430 *9770	4100 9040			*2850 *6280	*2850 *6280	7.10 (23.3)
3.0 m (9.8 ft)	kg lb			*9370 *20660	*9370 *20660	*6120 *13490	6120 13380	*4940 *10890	3960 8730	*3110 *6860	2820 6220	*2880 *6350	2790 6150	7.54 (24.7)
1.5 m (4.9 ft)	kg lb					*7380 *16270	5720 12610	*4880 *10760	3420 7540	*4040 *8910	2760 6080	*3060 *6750	2680 5910	7.66 (25.6)
0.0 m (0.0 ft)	kg lb			*5920 *11660	*5920 *11660	*8070 *17790	5500 12130	5640 12430	3690 8140			*3420 *7540	2730 6020	7.47 (24.5)
-1.5 m (-4.9 ft)	kg lb	*5090 *11220	*5090 *11220	*9190 *20260	*9190 *20260	*8010 *17660	5430 11970	5590 12320	3640 8020			*4130 *9110	3000 6610	6.95 (22.8)
-3.0 m (-9.8 ft)	kg lb	*9360 *20640	*9360 *20640	*10170 *22420	*10170 *22420	*6880 *15170	5490 12100	*4910 *10820	3710 8180			*4890 *10780	3700 8160	6.01 (19.7)
-4.5 m (-14.8 ft)	kg lb			*6860 *15120	*6860 *15120							*4560 *10050	*4560 *10050	4.39 (14.4)

Lifting Capacity (Dozer Down)

Boom: 5.1 m (16' 9")
Arm: 2.60 m (8' 6")
Shoe 600 mm (24") triple grouser
CWT 3,250 kg (7,170 lb)

Capacities based on North American Standard Configuration
in accordance with ISO condition 2 standard.

Rating over front

Rating over side or 360 degrees

Lift-point height (A)		Lift-point radius (B)										At max. reach		
		1.5 m (4.9 ft)		3.0 m (9.8 ft)		4.5 m (14.8 ft)		6.0 m (19.7 ft)		7.5 m (24.6 ft)		Capacity		Reach
														m (ft)
7.5 m (24.6 ft)	kg lb											*3410 *7520	*3410 *7520	4.85 (15.9)
6.0 m (19.7 ft)	kg lb							*3840 *8470	*3840 *8470			*2970 *6550	*2970 *6550	6.27 (20.6)
4.5 m (14.8 ft)	kg lb					*4870 *10740	*4870 *10740	*4430 *9770	4310 9500			*2850 *6280	*2850 *6280	7.10 (23.3)
3.0 m (9.8 ft)	kg lb			*9370 *20660	*9370 *20660	*6120 *13490	6120 13380	*4940 *10890	4170 9190	*3110 *6860	2980 6570	*2880 *6350	*2880 *6350	7.54 (24.7)
1.5 m (4.9 ft)	kg lb					*7380 *16270	6020 13270	*4880 *10760	4010 8840	*4040 *8910	2920 6440	*3060 *6750	2380 6240	7.66 (25.1)
0.0 m (0.0 ft)	kg lb			*5920 *11660	*5920 *11660	*8070 *17790	5800 12790	5640 12430	3900 8600			*3420 *7540	2890 6370	7.47 (24.5)
-1.5 m (-4.9 ft)	kg lb	*5090 *11220	*5090 *11220	*9190 *20260	*9190 *20260	*8010 *17660	5740 12650	5590 12320	3850 8490			*4130 *9110	3180 7010	6.95 (22.8)
-3.0 m (-9.8 ft)	kg lb	*9360 *20640	*9360 *20640	*10170 *22420	*10170 *22420	*6880 *15170	5790 12760	*4910 *10820	3920 8640			*4890 *10780	3900 8600	6.01 (19.7)
-4.5 m (-14.8 ft)	kg lb			*6860 *15120	*6860 *15120							*4560 *10050	*4560 *10050	4.39 (14.4)

- NOTES:
- Lifting capacities are based on ISO 10567.
 - Lifting capacity of the HX Series does not exceed 75% of tipping load with the machine on firm, level ground or 87% of full hydraulic capacity.
 - The Lift-point is the bucket pivot mounting pin on the arm (without bucket mass).
 - (*) indicates load limited by hydraulic capacity.

ENGINE	STD	OPT
Cummins B4.5		
Engine Auto Idle	•	
Engine Auto Shutdown Control	•	
Emergency Engine Stop Switch	•	
HYDRAULIC SYSTEM		
INTELLIGENT POWER CONTROL (IPC) UPGRADE		
3-Power Mode, 2-Work Mode, User Mode	•	
Variable Power Control	•	
Pump Flow Control	•	
Attachment Mode Flow Control	•	
Hyundai Bio Hydraulic oil (HBHO)		•
CAB & INTERIOR STD OPT		
ISO STANDARD CABIN		
Rise-Up Type Windshield Wiper	•	
Radio / USB Player	•	
Handsfree Mobile Phone System with USB	•	
12V Power Outlet (24V DC to 12V DC converter)	•	
Electric Horn	•	
All-Weather Steel Cab with 360 Visibility	•	
Safety glass - Tempered glass	•	
Safety glass - Tempered glass with front laminated glass		•
Sliding Fold-In Front Window	•	
Sliding Side Window (LH)	•	
Lockable Door	•	
Hot & Cool Box	•	
Storage Compartment	•	
Transparent Cabin Roof-Cover		•
Sun Visor	•	
Door And Cab Locks, One Key	•	
Pilot-Operated Slidable Joystick	•	
Adjustable L & R Consoles	•	
AUTOMATIC CLIMATE CONTROL		
Air Conditioner & Heater	•	
Defroster	•	
Starting Aid (Air Grid Heater) for Cold Weather	•	
CENTRALIZED MONITORING		
8" LCD Display	•	
Engine Speed or Trip Meter / Accel.	•	
Engine Coolant Temperature Gauge	•	
Max Power	•	
Low Speed / High Speed	•	
Auto Idle	•	
Overload warning with alarm	•	
Check Engine	•	
Air Cleaner Clogging	•	
Indicators	•	
ECO Gauges	•	
Fuel Level Gauge	•	
Hyd. Oil Temperature Gauge	•	
Warnings	•	
Communication Error	•	
Low Battery	•	
Clock	•	
Cabin Lights	•	
Cabin Front Window Rain Guard		•
Cabin Roof-Steel Cover		•
SEAT		
Adjustable Air Suspension Seat With Heater	•	
CABIN FOG (ISO 10262) LEVEL 2		
FOG (Falling Object Protective Structure)-ISO 10262 Level 2		•
CABIN ROPS		
ROPS (Roll Over Protective Structures)-ISO 12117-2	•	

SAFETY	STD	OPT
Lifting Mode	•	
Auto Safety Lock	•	
Seatbelt Warning Alarm	•	
Battery Master Switch	•	
Rear View Camera	•	
AAVM (Advanced Around View Monitoring)		•
Four Front Working Lights (2 Boom Mounted, 2 Front Frame Mounted)	•	
Travel Alarm	•	
Rear Work Lamp		•
Beacon Lamp		•
Automatic Swing Brake	•	
Boom Holding System	•	
Arm Holding System	•	
Safety Lock Valve For Boom Cylinder With Overload Warning Device		•
Safety Lock Valve For Arm Cylinder		•
Swing Lock System		•
Three Outside Rearview Mirror	•	
ATTACHMENT		
Booms		
5.10 m, 16' 9" Mono	•	
5.10 m, 16' 9" 2-Piece		•
Arms		
2.2 m, 7' 3"		•
2.6 m, 8' 6"	•	
3.1 m, 10' 2"		•
OTHER		
Fuel Pre-Filter	•	
Fuel Warmer	•	
Pre-Cleaner	•	
Self-Diagnostics System	•	
Hi MATE (Remote Management System)		•
Batteries (2 12 V 100 AH)	•	
Fuel Filler Pump (35 lpm)		•
2-Way auxiliary w Proportional control	•	
Rotating Piping Kit		•
Air Compressor		•
Quick Coupler Piping	•	
Quick Coupler	•	
One Pedal Straight Travel System		•
Accumulator For Lowering Work Equipment	•	
Pattern Change Valve (2 Patterns)	•	
Fine (Cushion/Free) Swing Control		•
Tool Kit		•
UNDERCARRIAGE		
Lower Frame Under Cover		
Lower Frame Under Cover	•	
Track Shoes		
Triple Grousers Shoes (500 mm, 20")		•
Triple Grousers Shoes (600 mm, 24")	•	
Triple Grousers Shoe (700 mm, 28")		•
Track Guard	•	

* Standard and optional equipment may vary. Contact your Hyundai dealer for more information.
 The machine may vary according to international standards.
 * The photos may include attachments and optional equipment that are not available in your area.
 * Materials and specifications are subject to change without advance notice.
 * All imperial measurements rounded off to the nearest pound or inch.



6100 Atlantic Blvd., Norcross, GA 30071
 TEL (678) 823-7777 FAX (678) 823-7778



Printed in U.S.A.



HX180A L 8/2023 PS v1