

# SPECIFICATIONS

## HX300LL Log Loader

**Net Power**  
196 kW (266.6 hp)  
@ 1,800 rpm

**Operating Weight**  
HX300LL Standard  
37,500 kg (82,673 lb)

### ENGINE

Make / Model	DOOSAN DL08P
Type	4-cycle, water-cooled, turbocharged, direct-injection, exhaust gas recirculation, 6-cylinder
Gross Power (SAE J1995)	202 kW (270.9 hp) @ 1,800 rpm
Net Power (SAE J1349)	196 kW (266.6 hp) @ 1,800 rpm
Peak Torque	1,275 Nm (940 lbf) @ 1,300 rpm
Displacement	7,640 cc (466.2 cu-in)

### HYDRAULIC SYSTEM

#### MAIN PUMP

Type	Tandem, axial piston
Max. Flow	2 x 248 lpm (2 x 65.5 gpm)

#### PILOT PUMP

Type	Gear pump
Max. Flow	27 lpm (7.1 gpm)

#### HYDRAULIC MOTORS

Travel	Axial piston, 2-speed
Swing	Axial piston

#### RELIEF VALVE SETTING

Model	HX300LL	
Implement Circuits	Normal Mode	330 kgf/cm <sup>2</sup> (4,695 psi)
	Power Mode	350 kgf/cm <sup>2</sup> (4,980 psi)
Travel	Normal Mode	330 kgf/cm <sup>2</sup> (4,695 psi)
Swing Circuit	Normal Mode	295 kgf/cm <sup>2</sup> (4,197 psi)
Pilot Circuit		40 kgf/cm <sup>2</sup> (569 psi)

#### HYDRAULIC CYLINDERS

Model	HX300LL	
No. of Cylinder, Bore x Stroke	Boom	2 ea, Ø 150x1,190 mm (5.9 x 46.8 in)
	Arm	1 ea, Ø 180x1,405 mm (7 x 55.3 in)
	Heel	1 ea, Ø 150x1,010 mm (5.9 x 39.7 in)

### DRIVES & BRAKES

Reduction System	2-stage planetary gear	
Max. Drawbar Pull	35,700 kgf (79,095 lbf)	
Max. Travel Speed	High	4.2 km/h (2.6 mph)
	Low	2.7 km/h (1.7 mph)
Gradeability	35° (70%)	

### SWING SYSTEM

Swing Motor	Axial piston
Swing Reduction	2-stage planetary gear
Swing Speed	9.9 rpm
Swing Torque	12,137 kgf.m (87,787 lbf.ft)

### REFILL CAPACITIES

Model	HX300LL
Fuel Tank	1,192 L (315 gal)
Coolant	50.9 L (13.4 gal)
Engine Oil	42 L (11.1 gal)
Swing Device	7 L (1.85 gal)
Final Drive	6 L (1.6 gal)
Hydraulic System (Inc. Tank)	310 L (82 gal)
Hydraulic Tank	280 L (74 gal)
DEF/AdBlue®	63 L (16.6 gal)

### UNDERCARRIAGE

Hyundai log loaders are equipped with a stable, fully guarded, heavy-duty, high and wide undercarriage. Durable top rollers and special cleanout brackets keep you mobile and productive.

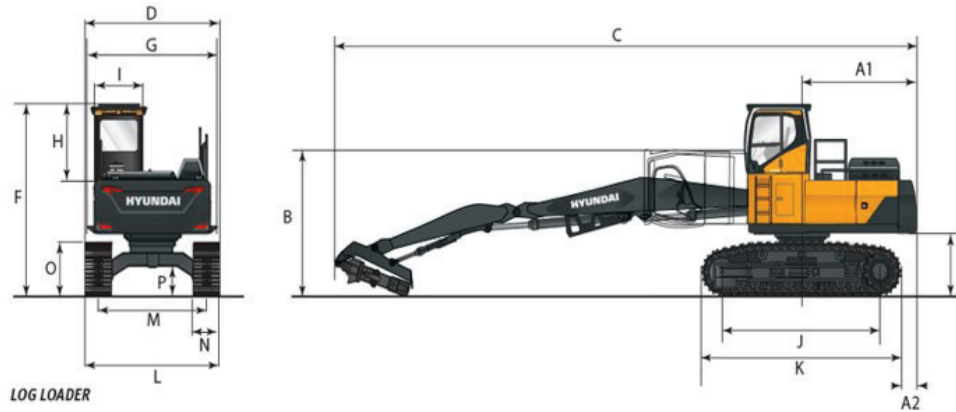
No. of Shoes on Each Side	48 ea
No. of Carrier Rollers on Each Side	2 ea
No. of Track Rollers on Each Side	9 ea

### OPERATING WEIGHT (APPROXIMATE)

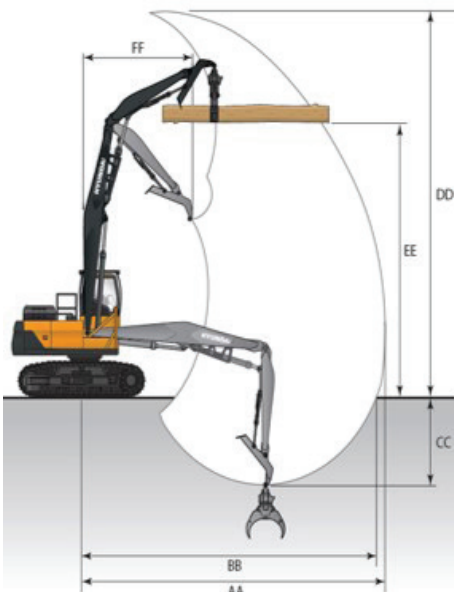
	Cabin Type	Track Width	Operating Weight	Ground Pressure
		mm (in)	kg (lb)	kgf/cm <sup>2</sup> (psi)
HX300LL	Standard Cabin	700 (24)	37,500 (82,673)	0.62 (8.8)
	Forestry Cabin	700 (24)	38,300 (84,437)	0.63 (9.0)



# DIMENSIONS HX300LL

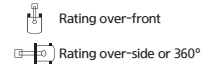
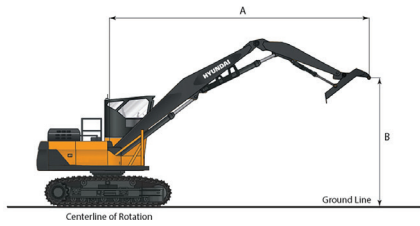


HX300LL DIMENSIONS	Standard Cabin
Log Loader Boom	6,300 mm (20' 8")
Log Loader Arm	3,912 mm (12' 10")
Live Heel	990 mm (3' 3")
A1 Tail Swing Radius	3,559 mm (11' 8")
A2 Tail Swing Overhang (Rear)	775 mm (2' 7")
B Shipping Height (Cabin Tilted)	3,604 mm (11' 10")
C Shipping Length	14,770 mm (48' 5")
D Shipping Width	3,600 mm (11' 10")
E Ground Clearance of Counterweight	1,420 mm (4' 8")
F Overall Height of Cabin	4,696 mm (15' 5")
Cabin Riser	1,200 mm (3' 11")
Cabin Tilting Angle	90°
G Overall Width of Upper Structure	3,480 mm (11' 5")
H Cabin Height (Above Riser)	2,279 mm (7' 6")
I Cabin Width	1,010 mm (3' 4")
J Tumbler Distance	4,010 mm (13' 2")
K Overall Length of Crawler	4,920 mm (16' 2")
L Undercarriage Width	3,600 mm (11' 10")
M Track Gauge	2,900 mm (9' 6")
N Track Shoe Width	700 mm (2' 4")
O Track Height	1,189 mm (3' 11")
P Min. Ground Clearance	760 mm (2' 6")



HX300LL WORKING RANGE	
Log Loader Boom	6,300 mm (20' 8")
Log Loader Arm	3,912 mm (12' 10")
Live Heel	990 mm (3' 3")
AA Max. Reach	11,570 mm (38' 0")
BB Max. Reach (Ground Level)	11,330 mm (37' 2")
CC Max. Depth	3,738 mm (12' 3")
DD Max. Height	13,135 mm (43' 1")
EE Max. Level Log	9,325 mm (30' 7")
FF Minimum Swing Radius	4,450 mm (14' 7")

# LIFTING CAPACITY



## HX300LL WITH FORESTRY CABIN

6,300 mm (20' 8") boom / 3,912 mm (12' 10") arm / 990 mm (3' 3") live heel / 700 mm (2' 4") DG track / 6,300 kg (13,900 lbs) CWT / NO grapple

Lift-point height m (ft)		Lift-point radius								At max. reach		Reach m (ft)
		4.5 m (15 ft)		6.0 m (20 ft)		7.5 m (25 ft)		9.0 m (30 ft)		Capacity		
10.5 m 35 ft	1,000 kg 1,000 lb									11.32 *	11.32 *	5.97 (19.6)
9 m 30 ft	1,000 kg 1,000 lb			10.31 *	10.31 *	9.49 *	8.2			9.46 *	7.91	7.65 (25.1)
7.5 m 25 ft	1,000 kg 1,000 lb			10.32 *	10.32 *	9.21 *	8.33			8.53 *	6.42	8.76 (28.7)
6 m 20 ft	1,000 kg 1,000 lb			10.84 *	10.84 *	9.39 *	8.26	8.28	6.19	7.56	5.64	9.5 (31.2)
4.5 m 15 ft	1,000 kg 1,000 lb	14.90 *	14.90 *	11.71 *	11.35	9.76 *	8.1	8.23	6.14	7.01	5.22	9.96 (32.7)
3 m 10 ft	1,000 kg 1,000 lb			12.58 *	10.93	10.13 *	7.89	8.13	6.05	6.75	5.03	10.18 (33.4)
1.5 m 5 ft	1,000 kg 1,000 lb			13.02 *	10.56	10.25 *	7.7	8.03	5.96	6.50 *	5.01	10.17 (33.4)
0 m 0 ft	1,000 kg 1,000 lb	11.28 *	11.28 *	12.67 *	10.32	9.88 *	7.56	7.68 *	5.9	5.86 *	5.17	9.94 (32.6)
-1.5 m -5 ft	1,000 kg 1,000 lb	14.39 *	14.39 *	11.33 *	10.24	8.77 *	7.52			6.48 *	6.0	8.89 (29.2)

## HX300LL WITH STANDARD CABIN

6,300 mm (20' 8") boom / 3,912 mm (12' 10") arm / 990 mm (3' 3") live heel / 700 mm (2' 4") DG track / 6,300 kg (13,900 lbs) CWT / NO grapple

Lift-point height m (ft)		Lift-point radius								At max. reach		Reach m (ft)
		4.5 m (15 ft)		6.0 m (20 ft)		7.5 m (25 ft)		9.0 m (30 ft)		Capacity		
10.5 m 35 ft	1,000 kg 1,000 lb			11.99 *	11.99 *					11.97 *	11.95	6.06 (19.9)
9 m 30 ft	1,000 kg 1,000 lb			11.00 *	11.00 *	10.13 *	8.68			10.09 *	8.29	7.69 (25.2)
7.5 m 25 ft	1,000 kg 1,000 lb			11.03 *	11.03 *	9.86 *	8.8			9.08	6.77	8.79 (28.8)
6 m 20 ft	1,000 kg 1,000 lb			11.62 *	11.62 *	10.07 *	8.73	8.79	6.57	8.01	5.98	9.52 (31.2)
4.5 m 15 ft	1,000 kg 1,000 lb	16.00 *	16.00 *	12.56 *	11.97	10.47 *	8.56	8.73	6.51	7.44	5.55	9.97 (32.7)
3 m 10 ft	1,000 kg 1,000 lb			13.50 *	11.55	10.87 *	8.36	8.63	6.42	7.18	5.35	10.18 (33.4)
1.5 m 5 ft	1,000 kg 1,000 lb			13.96 *	11.18	10.99 *	8.16	8.54	6.33	6.98 *	5.34	10.17 (33.4)
0 m 0 ft	1,000 kg 1,000 lb	12.01 *	12.01 *	13.56 *	10.95	10.58 *	8.03	8.23 *	6.27	6.29 *	5.52	9.93 (32.6)
-1.5 m -5 ft	1,000 kg 1,000 lb	15.40 *	15.40 *	12.10 *	10.87	9.37 *	7.99			7.06 *	6.45	8.82 (28.9)

1. Load point is the end of the heel to the grapple pin.
2. Capacities marked with an asterisk (\*) are limited by hydraulic capacities.
3. Lift capacities shown do not exceed 75% of minimum tipping loads or 87% of hydraulic capacities.
4. The least stable position is over the side.
5. Lift capacities apply only to the machine as originally manufactured and normally equipped by the manufacturer.
6. Lift capacities are in compliance with ISO 10567.

# STANDARD/OPTIONAL CONFIGURATION

●: Standard, ○: Optional, N/A: Not Available

## ENGINE

EPA T4 Final Compliant	●
Cooled Exhaust Gas Recirculation (CEGR)	●
Diesel Oxidation Catalyst (DOC)	●
Selective Catalytic Reduction (SCR)	●
Diesel Exhaust Fluid (DEF)	●
Fuel Filter with Water Separator	●
Pre-Cleaner	●
Auto-Shutdown (Time-Adjustable)	●
Overheat and Low Oil Pressure Engine Protection	●
Block Heater (110V)	●
Block Heater (220V)	○
Fuel Filler Pump	○

## HYDRAULIC SYSTEM

Electronic Power Optimizing System (EPOS)	●
Variable Axial Piston Main Pump (Tandem)	●
Pilot-Operated Control Valves	●
Auxiliary Hydraulics, Fingertip Control	○
Auxiliary Hydraulics, Fingertip and Pedal Control	●
Adjustable Auxiliary Flow and Pressure	●
Pattern Change Valve	●
Quick Coupler Piping	N/A
Hydraulic Oil, VG46	○
Hydraulic Oil, VG32	●

## OTHER

Cab Riser (Hyd. Tilt)	●
Forestry Cabin, Side Entry	●
· PC Glass	
· OR-OSHA 437-007-0775	
· ISO 8083:2006, WCB G608(FOPS)	
· SAE J2267:2007, WCB G603(OFPS)	
· ISO 8084:2003, WCB G604(OPS)	
· ISO 8082:2003, WCB G602(ROPS)	
Non-ROPS Cabin, Side Entry	○
ROPS Cabin, Side Entry	N/A
Cab Guard - Front, Top and Rear (Not for Forestry Cab)	○
7" Multi-Function LCD Cluster	●
AM/FM Stereo and MP3 Port	●
Emergency Breakout Tool	●
Power Socket, 12V	●
Additional Power Socket, 12V	●

## ELECTRICAL

Light, Work (LED): Machine (8), Boom (2)	●
Light, Work (Halogen): Machine (8), Boom (2)	○
Travel Alarm Only	●
Travel Alarm with Swing Alarm	N/A
Rearview Camera	●
Rear and Sideview Camera	○
Telematics, Dual (Satellite and Mobile)	●
Telematics, Mobile	○
Microphone	○

## ATTACHMENT

6.3 m (20' 3") Boom	●
Without Boom	○
3.912 m (12' 10") Arm	●
Without Arm	○
Live Heel	●
Boom Cylinder Guard	●
Arm Cylinder Guard	●

## UNDERCARRIAGE

Heavy-duty High and Wide Undercarriage	●
700 mm (28") Double Grousers Shoe	●
700 mm (28") Triple Grousers Shoe	○
600 mm (24") Double Grousers Shoe	○
800 mm (32") Double Grousers Shoe	○
Full Track Rail Guard	●

## OTHER

Heavy-duty Catwalk/Side Guards	●
Straight Travel, Dedicated Pedal	●



www.hceamericas.com  
6100 Atlantic Blvd., Norcross, GA 30071  
TEL (678) 823-7777 FAX (678) 823-7778

Printed in U.S.A.

PLEASE CONTACT

1126-EX-SP 12/2022v12