

SPECIFICATIONS

HX300RB Road Builder

Net Power
196 kW (266.6 hp)
@ 1,800 rpm

Operating Weight
HX300RB Standard
37,200 kg (83,012 lb)

ENGINE	
Make / Model	DOOSAN DL08P
Type	4-Cycle water-cooled, turbo-charged, direct-injection, exhaust gas recirculation, 6-cylinder
Gross Power (SAE J1995)	202 kW (270.9 hp) @ 1,800 rpm
Net Power (SAE J1349)	196 kW (266.6 hp) @ 1,800 rpm
Peak Torque	1,275 Nm (940 lbf) @ 1,300 rpm
Displacement	7,640 cc (466.2 cu-in)

HYDRAULIC SYSTEM	
MAIN PUMP	
Type	Tandem, Axial piston
Max. Flow	2 x 248 lpm (2 x 65.5 gpm)
PILOT PUMP	
Type	Gear pump
Max. Flow	27 lpm (7.1 gpm)

HYDRAULIC MOTORS	
Travel	Axial piston, 2-speed
Swing	Axial piston

RELIEF VALVE SETTING		
Model	HX300RB	
Implement Circuits	Normal Mode	350 kgf/cm ² (4,980 psi)
	Power Mode	370 kgf/cm ² (5,264 psi)
Travel	Normal Mode	330 kgf/cm ² (4,695 psi)
Swing Circuit	Normal Mode	295 kgf/cm ² (4,197 psi)
Pilot Circuit	40 kgf/cm ² (569 psi)	

HYDRAULIC CYLINDERS		
Model	HX300RB	
No. of Cylinder, Bore x Stroke	Boom	2 ea, ∅ 140x1,440 mm (5.5 x 56.6 in)
	Arm	1 ea, ∅ 150x1,625 mm (6 x 64 in)
	Bucket	1 ea, ∅ 135x1,150 mm (5.3 x 45.2 in)

DRIVES & BRAKES		
Reduction System	2-stage planetary gear	
Max. Drawbar Pull	35,700 kgf (79,095 lbf)	
Max. Travel Speed	High	4.2 km/h (2.6 mph)
	Low	2.7 km/h (1.7 mph)
Gradeability	35° (70%)	

SWING SYSTEM	
Swing Motor	Axial piston
Swing Reduction	2-stage planetary gear
Swing Speed	9.9 rpm
Swing Torque	12,137 kgf.m (87,787 lbf.ft)

REFILL CAPACITIES	
Model	HX300RB
Fuel Tank	1,192 L (315 gal)
Coolant	49.5 L (13.1 gal)
Engine Oil	42 L (11.1 gal)
Swing Device	7 L (1.85 gal)
Final Drive	6 L (1.6 gal)
Hydraulic System (Inc. Tank)	310 L (82 gal)
Hydraulic Tank	280 L (74 gal)
DEF/AdBlue®	63 L (16.6 gal)

UNDERCARRIAGE	
Hyundai road builders are equipped with a stable, fully guarded, heavy-duty, high and wide undercarriage. Durable top rollers and special cleanout brackets keep you mobile and productive.	
No. of Shoes on Each Side	48 ea
No. of Carrier Rollers on Each Side	2 ea
No. of Track Rollers on Each Side	9 ea

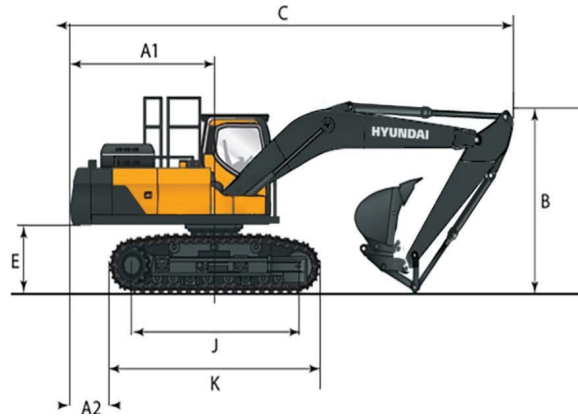
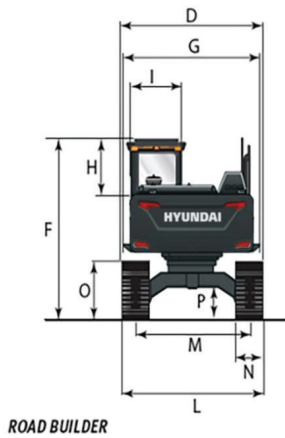
OPERATING WEIGHT (APPROXIMATE)				
	Cabin Type	Track Width	Operating Weight	Ground Pressure
		mm (in)	kg (lb)	kgf/cm ² (psi)
HX300RB	Standard Cabin	700 (24)	37,200 (83,012)	0.61 (8.7)
	Forestry Cabin	700 (24)	37,600 (82,894)	0.62 (8.8)

DIGGING FORCE		
Boom	Length	6,245 mm (20'6")
	Weight	2,402 kg (5,300 lb)
Arm	Length	3,100 mm (10' 2")
	Weight	1,053 kg (2,320 lb)
Arm Crowd Force	kN	129.4 [137.3]
	SAE kgf	13,200 [14,000]
	lbf	29,100 [30,860]
	kN	130.4 [138.3]
	ISO kgf	13,300 [14,100]
	lbf	29,320 [31,090]
Bucket Digging Force	kN	157.9 [167.7]
	SAE kgf	16,100 [17,100]
	lbf	35,490 [37,700]
	kN	176.5 [187.3]
	ISO kgf	18,000 [19,100]
	lbf	39,680 [42,110]

*[Power Boost]

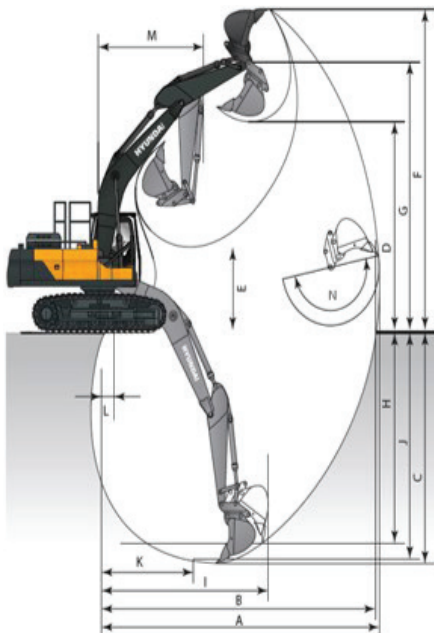
DIMENSIONS

HX300RB



HX300RB DIMENSIONS

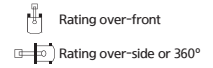
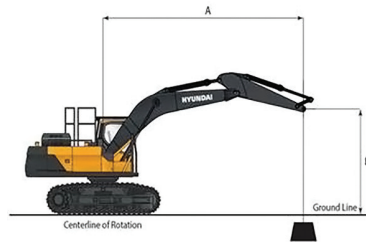
HX300RB DIMENSIONS	Standard Cabin
Road Builder Boom	6,245 mm (20' 6")
Road Builder Arm	3,100 mm (10' 2")
A1 Tail Swing Radius	3,559 mm (11' 8")
A2 Tail Swing Overhang (Rear)	775 mm (2' 7")
B Shipping Height	3,689 mm (12' 1")
C Shipping Length	10,958 mm (35' 11")
D Shipping Width	3,600 mm (11' 10")
E Ground Clearance of Counterweight	1,473 mm (4' 10")
F Overall Height of Cabin	3,381 mm (11' 1")
G Overall Width of Upper Structure	3,576 mm (12' 0")
H Cabin Height (Above Riser)	853 mm (2' 9")
I Cabin Width	1,010 mm (3' 4")
J Tumbler Distance	4,010 mm (13' 2")
K Overall Length of Crawler	4,920 mm (16' 2")
L Undercarriage Width	3,600 mm (11' 10")
M Track Gauge	2,900 mm (9' 6")
N Track Shoe Width	700 mm (2' 4")
O Track Height	1,189 mm (3' 11")
P Min. Ground Clearance	760 mm (2' 6")



HX300RB WORKING RANGE

Road Builder Boom	6,245 mm (20' 6")
Road Builder Arm	3,100 mm (10' 2")
A Max. Digging Reach	10,670 mm (35' 0")
B Max. Digging Reach (Ground Level)	10,420 mm (34' 2")
C Max. Digging Depth	5,950 mm (19' 6")
D Max. Loading Height	8,620 mm (28' 3")
E Min. Loading Height	3,665 mm (12' 0")
F Max. Digging Height	11,700 mm (38' 5")
G Max. Bucket Pin Height	10,190 mm (33' 5")
H Max. Vertical Wall Depth	5,020 mm (16' 6")
I Max. Radius Vertical	7,620 mm (25' 0")
J Max. Depth to 8' Line	5,780 mm (18' 12")
K Min. Radius 8' Line	3,960 mm (12' 12")
L Min. Digging Reach	900 mm (2' 11")
M Min. Swing Radius	3,005 mm (9' 10")
N Bucket Angle	175°

LIFTING CAPACITY



HX300RB WITH FORESTRY CABIN

6,245 mm (20' 6") boom / 3,100 mm (10' 2") arm / 700 mm (2' 4") DG track / 6,300 kg (13,900 lbs) CWT / NO bucket

Lift-point height m (ft)		Lift-point radius												At max. reach		
		1.5 m (5 ft)		3.0 m (10 ft)		4.5 m (15 ft)		6.0 m (20 ft)		7.5 m (25 ft)		9.0 m (30 ft)		Capacity		Reach
																m (ft)
7.5 m	1,000 kg													4.66 *	4.66 *	7.46
25 ft	1,000 lb													10.28 *	10.28 *	(24.5)
6 m	1,000 kg								5.87 *	5.87 *				4.52 *	4.52 *	8.32
20 ft	1,000 lb								12.95 *	12.95 *				9.96 *	9.96 *	(27.3)
4.5 m	1,000 kg			13.16 *	13.16 *	8.72 *	8.72 *	7.11 *	7.11 *	6.35 *	6.35 *			4.55 *	4.55 *	8.84
15 ft	1,000 lb			29.02 *	29.02 *	19.23 *	19.23 *	15.67 *	15.67 *	14.00 *	14.00 *			10.04 *	10.04 *	(29.0)
3 m	1,000 kg					11.41 *	11.41 *	8.40 *	8.40 *	7.02 *	7.02 *	5.42 *	5.42 *	4.75 *	4.75 *	9.09
10 ft	1,000 lb					25.15 *	25.15 *	18.52 *	18.52 *	15.48 *	15.48 *	11.96 *	11.96 *	10.47 *	10.47 *	(29.8)
1.5 m	1,000 kg					13.45 *	13.45 *	9.58 *	9.58 *	7.69 *	7.69 *	5.88 *	5.88 *	5.13 *	5.13 *	9.09
5 ft	1,000 lb					29.64 *	29.64 *	21.12 *	21.12 *	16.95 *	16.95 *	12.96 *	12.96 *	11.30 *	11.30 *	(29.8)
0 m	1,000 kg			6.93 *	6.93 *	14.34 *	14.34 *	10.35 *	10.35 *	8.17 *	7.59			5.77 *	5.77 *	8.83
0 ft	1,000 lb			15.27 *	15.27 *	31.62 *	31.62 *	22.81 *	22.81 *	18.01 *	16.73			12.73 *	12.73 *	(29.0)
-1.5 m	1,000 kg	8.63 *	8.63 *	11.97 *	11.97 *	14.33 *	14.33 *	10.57 *	10.27	8.28 *	7.53			6.90 *	6.61	8.28
-5 ft	1,000 lb	19.02 *	19.02 *	26.39 *	26.39 *	31.60 *	31.60 *	23.31 *	22.63	18.26 *	16.61			15.22 *	14.57	(27.2)
-3 m	1,000 kg	13.48 *	13.48 *	18.27 *	18.27 *	13.51 *	13.51 *	10.11 *	10.11 *					7.77 *	7.76	7.4
-10 ft	1,000 lb	29.72 *	29.72 *	40.28 *	40.28 *	29.78 *	29.78 *	22.29 *	22.29 *					17.14 *	17.1	(24.3)
-4.5 m	1,000 kg			15.93 *	15.93 *	11.49 *	11.49 *	8.25 *	8.25 *					8.17 *	8.17 *	6.03
-15 ft	1,000 lb			35.13 *	35.13 *	25.32 *	25.32 *	18.20 *	18.20 *					18.02 *	18.02 *	(19.8)

HX300RB WITH STANDARD CABIN

6,245 mm (20' 6") boom / 3,100 mm (10' 2") arm / 700 mm (2' 4") DG track / 6,300 kg (13,900 lbs) CWT / NO bucket

Lift-point height m (ft)		Lift-point radius												At max. reach		
		1.5 m (5 ft)		3.0 m (10 ft)		4.5 m (15 ft)		6.0 m (20 ft)		7.5 m (25 ft)		9.0 m (30 ft)		Capacity		Reach
																m (ft)
7.5 m	1,000 kg													4.99 *	4.99 *	7.46
25 ft	1,000 lb													11.0 *	11.0 *	(24.5)
6 m	1,000 kg								6.33 *	6.33 *				4.83 *	4.83 *	8.32
20 ft	1,000 lb								13.96 *	13.96 *				10.65 *	10.65 *	(27.3)
4.5 m	1,000 kg			14.12 *	14.12 *	9.37 *	9.37 *	7.65 *	7.65 *	6.85 *	6.85 *			4.87 *	4.87 *	8.84
15 ft	1,000 lb			31.13 *	31.13 *	20.67 *	20.67 *	16.87 *	16.87 *	15.10 *	15.10 *			10.74 *	10.74 *	(29.0)
3 m	1,000 kg					12.27 *	12.27 *	9.05 *	9.05 *	7.57 *	7.57 *	5.80 *	5.80 *	5.08 *	5.08 *	9.09
10 ft	1,000 lb					27.05 *	27.05 *	19.95 *	19.95 *	16.70 *	16.70 *	12.78 *	12.78 *	11.20 *	11.20 *	(29.8)
1.5 m	1,000 kg					14.47 *	14.47 *	10.32 *	10.32 *	8.29 *	7.71	6.28 *	5.95	5.48 *	5.48 *	9.09
5 ft	1,000 lb					31.89 *	31.89 *	22.75 *	22.75 *	18.28 *	16.99	13.85 *	13.11	12.09 *	12.09 *	(29.8)
0 m	1,000 kg			7.31 *	7.31 *	15.43 *	15.43 *	11.15 *	10.32	8.81 *	7.55			6.17 *	6.05	8.83
0 ft	1,000 lb			16.11 *	16.11 *	34.01 *	34.01 *	24.57 *	22.74	19.42 *	16.65			13.60 *	13.33	(29.0)
-1.5 m	1,000 kg	9.11 *	9.11 *	12.66 *	12.66 *	15.42 *	15.42 *	11.39 *	10.22	8.93 *	7.5			7.37 *	6.58	8.28
-5 ft	1,000 lb	20.08 *	20.08 *	27.90 *	27.90 *	34.0 *	34.0 *	25.11 *	22.54	19.69 *	16.54			16.25 *	14.51	(27.2)
-3 m	1,000 kg	14.26 *	14.26 *	19.34 *	19.34 *	14.54 *	14.54 *	10.89 *	10.28					8.39 *	7.73	7.4
-10 ft	1,000 lb	31.44 *	31.44 *	42.64 *	42.64 *	32.06 *	32.06 *	24.02 *	22.67					18.49 *	17.03	(24.3)
-4.5 m	1,000 kg			17.17 *	17.17 *	12.38 *	12.38 *	8.91 *	8.91 *					8.82 *	8.82 *	6.03
-15 ft	1,000 lb			37.85 *	37.85 *	27.30 *	27.30 *	19.65 *	19.65 *					19.45 *	19.45 *	(19.8)

1. Load point is the end of the arm.
2. Capacities marked with an asterisk (*) are limited by hydraulic capacities.
3. Lift capacities shown do not exceed 75% of minimum tipping loads or 87% of hydraulic capacities.
4. The least stable position is over the side.
5. Lift capacities apply only to the machine as originally manufactured and normally equipped by the manufacturer.
6. Lift capacities are in compliance with ISO 10567.

STANDARD/OPTIONAL CONFIGURATION

●: Standard, ○: Optional, N/A: Not Available

ENGINE

EPA T4 Final Compliant	●
Cooled Exhaust Gas Recirculation (CEGR)	●
Diesel Oxidation Catalyst (DOC)	●
Selective Catalytic Reduction (SCR)	●
Diesel Exhaust Fluid (DEF)	●
Fuel Filter with Water Separator	●
Pre-Cleaner	●
Auto-Shutdown (Time-Adjustable)	●
Overheat and Low Oil Pressure Engine Protection	●
Block Heater (110V)	●
Block Heater (220V)	○
Fuel Filler Pump	○

HYDRAULIC SYSTEM

Electronic Power Optimizing System (EPOS)	●
Variable Axial Piston Main Pump (Tandem)	●
Pilot-Operated Control Valves	●
Auxiliary Hydraulics, Fingertip Control	○
Auxiliary Hydraulics, Fingertip and Pedal Control	●
Adjustable Auxiliary Flow and Pressure	●
Pattern Change Valve	●
Quick Coupler Piping	●
Hydraulic Oil, VG46	○
Hydraulic Oil, VG32	●

OTHER

Forestry Cabin, Side Entry Without Riser	●
· PC Glass	
· OR-OSHA 437-007-0775	
· ISO 8083:2006, WCB G608(FOPS)	
· SAE J2267:2007, WCB G603(OFPS)	
· ISO 8084:2003, WCB G604(OPS)	
· ISO 8082:2003, WCB G602(ROPS)	
ROPS Cabin, Side Entry Without Riser	○
Cab riser (Hydraulic Tilt)	N/A
Cab Guard - Front, Top and Rear	○
7" Multi-Function LCD Cluster	●
AM/FM Stereo and MP3 Port	●
Emergency Breakout Tool	●
Power Socket, 12V	●
Additional Power Socket, 12V	●

ELECTRICAL

Light, Work (LED): Machine (8), Boom (2)	●
Light, Work (Halogen): Machine (8), Boom (2)	○
Travel Alarm Only	●
Travel Alarm with Swing Alarm	○
Rearview Camera	●
Rear and Sideview Camera	○
Telematics, Dual (Satellite and Mobile)	●
Telematics, Mobile	○
Microphone	○

ATTACHMENT

6.245 m (20' 6") Boom	●
Without Boom	○
3.1 m (10' 2") Arm	●
Without Arm	○
Control Linkage	●
Boom Cylinder Guard	●
Arm Cylinder Guard	N/A

UNDERCARRIAGE

Heavy-duty High and Wide Undercarriage	●
700 mm (28") Double Grousers Shoe	●
700 mm (28") Triple Grousers Shoe	○
600 mm (24") Double Grousers Shoe	○
800 mm (32") Double Grousers Shoe	○
Full Track Rail Guard	●

OTHER

Heavy-duty Catwalk/Side Guards	●
Straight Travel, Dedicated Pedal	●



www.hceamericas.com
6100 Atlantic Blvd., Norcross, GA 30071
TEL (678) 823-7777 FAX (678) 823-7778

Printed in U.S.A.

PLEASE CONTACT

1127-EX-SP 12/2022v12