

SPECIFICATIONS

HX220RB Road Builder

Net Power
121.4 kW (163 hp)
@ 1,800 rpm

Operating Weight
HX220RB Standard
29,900 kg (65,918 lb)

ENGINE

Maker / Model	DOOSAN DL06P
Type	4-Cycle water-cooled, turbo-charged, direct-injection, exhaust gas recirculation, 6-cylinder
Gross Power (SAE J1995)	124.3 kW (167 hp) @ 1,800 rpm
Net Power (SAE J1349)	121.4 kW (163 hp) @ 1,800 rpm
Peak Torque	755 Nm (577 lbf) @ 1,400 rpm
Displacement	5,890 cc (359.4 cu-in)

HYDRAULIC SYSTEM

MAIN PUMP	
Type	Swash plate, axial piston
Max. Flow	2 x 213.5 lpm (2 x 56.4 gpm)

PILOT PUMP	
Type	Gear pump
Max. Flow	24.7 lpm (6.5 gpm)

HYDRAULIC MOTORS	
Travel	Axial piston, 2-speed
Swing	Axial piston

RELIEF VALVE SETTING		
Model	HX220RB	
Implement Circuits	Normal Mode	350 kgf/cm ² (4,980 psi)
	Power Mode	370 kgf/cm ² (5,264 psi)
Travel	Normal Mode	300 kgf/cm ² (4,267 psi)
Swing Circuit	Normal Mode	350 kgf/cm ² (4,978 psi)
Pilot Circuit	40 kgf/cm ² (569 psi)	

HYDRAULIC CYLINDERS		
Model	HX220RB	
No. of Cylinder, Bore x Stroke	Boom	2 ea, ∅ 125 x 1,263 mm (4.9 x 49.7 in)
	Arm	1 ea, ∅ 140 x 1,443 mm (5.5 x 56.8 in)
	Bucket	1 ea, ∅ 120 x 1,060 mm (4.7 x 41.7 in)

DRIVES & BRAKES

Reduction System	3-stage planetary gear	
Max. Drawbar Pull	32,930 kgf (72,958 lbf)	
Max. Travel Speed	High	4.2 km/h (2.6 mph)
	Low	2.4 km/h (1.5 mph)
Gradeability	35° (70%)	

SWING SYSTEM

Swing Motor	Axial piston	
Swing Reduction	2-stage planetary	
Swing Speed	10.2 rpm	
Swing Torque	9,626 kgf.m (69,625 lbf.ft)	

REFILL CAPACITIES

Model	HX220RB
Fuel Tank	1,006 L (266 gal)
Coolant	30 L (7.9 gal)
Engine Oil	27 L (7.1 gal)
Swing Device	5 L (1.32 gal)
Final Drive	6 L (1.6 gal)
Hydraulic System (Inc. Tank)	280 L (74 gal)
Hydraulic Tank	195 L (51.5 gal)
DEF/AdBlue®	31.5 L (8.3 gal)

UNDERCARRIAGE

Hyundai road builders are equipped with a stable, fully guarded, heavy-duty, high and wide undercarriage. Durable top rollers and special cleanout brackets keep you mobile and productive.

No. of Shoes on Each Side	45 ea
No. of Carrier Rollers on Each Side	2 ea
No. of Track Rollers on Each Side	9 ea

OPERATING WEIGHT (APPROXIMATE)

Model	Cabin Type	Track Width	Operating Weight	Ground Pressure
		mm (in)	kg (lb)	kgf/cm ² (psi)
HX220RB	Standard Cabin	700 (24)	29,900 (65,918)	0.54 (7.7)

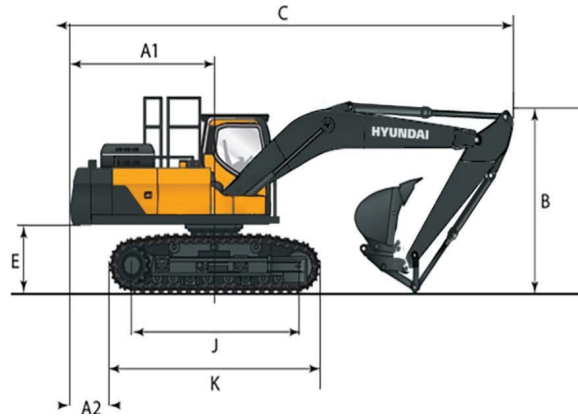
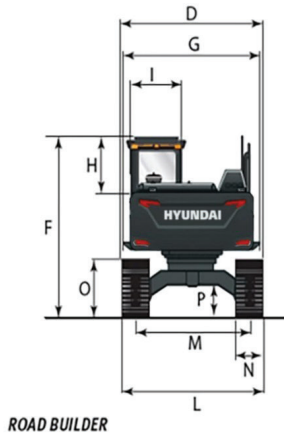
DIGGING FORCE

Boom	Length	5,700 mm (18'8")		
	Weight	1,453 kg (3,203 lb)		
Arm	Length	2,900 mm (9' 6")	3,500 mm (11' 6")	
	Weight	648 kg (1,429 lb)	797 kg (1,757 lb)	
Arm Crowd Force	SAE	kN	97.1 [103]	87.3 [92.2]
		kgf	9,900 [10,500]	8,900 [9,400]
	ISO	lbf	21,830 [32,150]	19,620 [20,720]
		kN	100 [106]	89.2 [95.1]
	ISO	kgf	10,200 [10,800]	9,100 [9,700]
		lbf	22,490 [23,810]	20,060 [21,380]
Bucket Digging Force	SAE	kN	123.6 [131.4]	
		kgf	12,600 [13,400]	
	ISO	lbf	27,780 [29,540]	
		kN	140.2 [149.1]	
ISO	kgf	14,300 [15,200]		
	lbf	31,530 [33,510]		

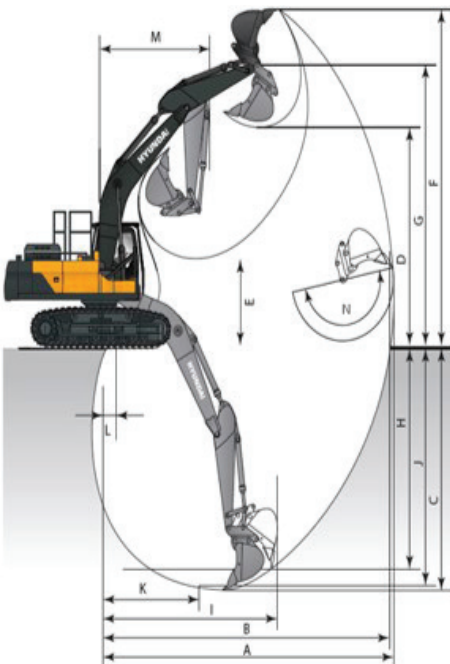
*[Power Boost]

DIMENSIONS

HX220RB

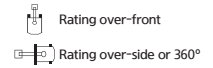
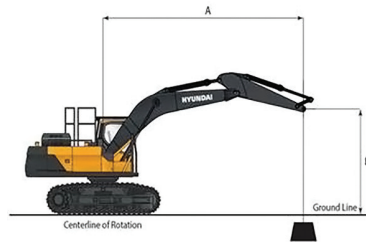


HX220RB DIMENSIONS	Standard Cabin	
Road Builder Boom	5,700 mm (18' 8")	
Road Builder Arm (Std / Opt)	2,900 mm (9' 6")	3,500 mm (11' 6")
A1 Tail Swing Radius	3,115 mm (10' 4")	
A2 Tail Swing Overhang (Rear)	838 mm (2' 9")	
B Shipping Height	3,340 mm (10' 11")	
C Shipping Length (Std / Opt)	9,770 mm (32' 1")	9,870 mm (32' 5")
D Shipping Width	3,600 mm (11' 10")	
E Ground Clearance of Counterweight	1,310 mm (4' 4")	
F Overall Height of Cabin	3,340 mm (10' 11")	
G Overall Width of Upper Structure	3,325 mm (10' 11")	
H Cabin Height Above Riser	950 mm (3' 1")	
I Cabin Width	1,010 mm (3' 4")	
J Tumbler Distance	3,680 mm (12' 1")	
K Overall Length of Crawler	4,635 mm (15' 2")	
L Undercarriage Width	3,600 mm (11' 10")	
M Track Gauge	2,900 mm (9' 6")	
N Track Shoe Width	700 mm (2' 4")	
O Track Height	1,204 mm (3' 11")	
P Min. Ground Clearance	725 mm (2' 5")	



HX220RB WORKING RANGE		
Road Builder Boom	5,700 mm (18' 8")	
Road Builder Arm	2,900 mm (9' 6")	3,500 mm (11' 6")
A Max. Digging Reach	9,880 mm (32' 5")	10,385 mm (34' 1")
B Max. Digging Reach (Ground)	9,660 mm (31' 8")	10,175 mm (33' 5")
C Max. Digging Depth	6,375 mm (20' 11")	6,985 mm (22' 11")
D Max. Loading Height	7,045 mm (23' 1")	7,185 mm (23' 7")
E Min. Loading Height	2,705 mm (8' 10")	2,100 mm (6' 11")
F Max. Digging Height	9,760 mm (32' 0")	9,860 mm (32' 4")
G Max. Bucket Pin Height	8,500 mm (27' 11")	8,640 mm (28' 4")
H Max. Vertical Wall Depth	5,410 mm (17' 9")	5,770 mm (18' 11")
I Max. Radius Vertical	6,380 mm (20' 11")	6,740 mm (22' 1")
J Max. Depth to 8' Line	6,185 mm (20' 4")	6,805 mm (22' 4")
K Min. Radius 8' Line	2,820 mm (9' 3")	2,790 mm (9' 2")
L Min. Digging Reach	295 mm (0' 12")	390 mm (1' 3")
M Min. Swing Radius	3,560 mm (11' 8")	3,620 mm (11' 11")
N Bucket Angle	175°	

LIFTING CAPACITY



HX220RB WITH STANDARD CABIN

5,700 mm (18' 8") boom / 2,900 mm (9' 6") arm / 700mm (28") DG track / 4,400 kg (9,700 lbs) CWT / NO bucket

Lift-point height m (ft)		Lift-point radius										At max. reach		
		1.5m (5 ft)		3.0m (10 ft)		4.5m (15 ft)		6.0m (20 ft)		7.5m (25 ft)		Capacity		Reach m (ft)
7.5 m 25 ft	1,000 kg 1,000 lb							5.34 *	5.34 *			4.21 *	4.21 *	6.41 (21.0)
								11.77 *	11.77 *			9.28 *	9.28 *	
6 m 20 ft	1,000 kg 1,000 lb							5.46 *	5.46 *			3.96 *	3.96 *	7.45 (24.4)
								12.03 *	12.03 *			8.74 *	8.74 *	
4.5 m 15 ft	1,000 kg 1,000 lb					7.13 *	7.13 *	6.05 *	6.05 *	5.52 *	5.52 *	3.94 *	3.94 *	8.07 (26.5)
						15.72 *	15.72 *	13.33 *	13.33 *	12.18 *	12.18 *	8.68 *	8.68 *	
3 m 10 ft	1,000 kg 1,000 lb					8.98 *	8.98 *	6.89 *	6.89 *	5.88 *	5.88 *	4.06 *	4.06 *	8.38 (27.5)
						19.79 *	19.79 *	15.20 *	15.20 *	12.97 *	12.97 *	8.96 *	8.96 *	
1.5 m 5 ft	1,000 kg 1,000 lb					10.49 *	10.49 *	7.69 *	7.69 *	6.26 *	6.26 *	4.36 *	4.36 *	8.41 (27.6)
						23.14 *	23.14 *	16.94 *	16.94 *	13.80 *	13.80 *	9.61 *	9.61 *	
0 m 0 ft	1,000 kg 1,000 lb			6.72 *	6.72 *	11.12 *	11.12 *	8.14 *	8.14 *	6.45 *	6.33	4.90 *	4.90 *	8.16 (26.8)
				14.81 *	14.81 *	24.52 *	24.52 *	17.96 *	17.96 *	14.22 *	13.96	10.79 *	10.79 *	
-1.5 m -5 ft	1,000 kg 1,000 lb	7.37 *	7.37 *	11.36 *	11.36 *	10.89 *	10.89 *	8.09 *	8.09 *	6.18 *	6.18 *	5.88 *	5.88 *	7.62 (25.0)
		16.25 *	16.25 *	25.05 *	25.05 *	24.02 *	24.02 *	17.83 *	17.83 *	13.63 *	13.63 *	12.96 *	12.96 *	
-3 m -10 ft	1,000 kg 1,000 lb	12.19 *	12.19 *	13.57 *	13.57 *	9.79 *	9.79 *	7.24 *	7.24 *			6.12 *	6.12 *	6.7 (22.0)
		26.87 *	26.87 *	29.91 *	29.91 *	21.58 *	21.58 *	15.95 *	15.95 *			13.49 *	13.49 *	
-4.5 m -15 ft	1,000 kg 1,000 lb			9.90 *	9.90 *	7.18 *	7.18 *					5.85 *	5.85 *	5.2 (17.1)
				21.83 *	21.83 *	15.83 *	15.83 *					12.89 *	12.89 *	

HX220RB WITH STANDARD CABIN

5,700 mm (18' 8") boom / 3,500 mm (11' 6") arm / 700mm (28") DG track / 4,400 kg (9,700 lbs) CWT / NO bucket

Lift-point height m (ft)		Lift-point radius										At max. reach		
		1.5m (5 ft)		3.0m (10 ft)		4.5m (15 ft)		6.0m (20 ft)		7.5m (25 ft)		Capacity		Reach m (ft)
7.5 m 25 ft	1,000 kg 1,000 lb											3.55 *	3.55 *	7.05 (23.1)
												7.82 *	7.82 *	
6 m 20 ft	1,000 kg 1,000 lb									4.52 *	4.52 *	3.38 *	3.38 *	8.0 (26.3)
										9.96 *	9.96 *	7.46 *	7.46 *	
4.5 m 15 ft	1,000 kg 1,000 lb							5.45 *	5.45 *	5.05 *	5.05 *	3.38 *	3.38 *	8.59 (28.2)
								12.02 *	12.02 *	11.14 *	11.14 *	7.44 *	7.44 *	
3 m 10 ft	1,000 kg 1,000 lb			12.50 *	12.50 *	8.06 *	8.06 *	6.35 *	6.35 *	5.49 *	5.49 *	3.49 *	3.49 *	8.88 (29.1)
				27.57 *	27.57 *	17.76 *	17.76 *	13.99 *	13.99 *	12.09 *	12.09 *	7.70 *	7.70 *	
1.5 m 5 ft	1,000 kg 1,000 lb					9.80 *	9.80 *	7.25 *	7.25 *	5.95 *	5.95 *	3.74 *	3.74 *	8.91 (29.2)
						21.61 *	21.61 *	15.98 *	15.98 *	13.12 *	13.12 *	8.25 *	8.25 *	
0 m 0 ft	1,000 kg 1,000 lb			7.72 *	7.72 *	10.79 *	10.79 *	7.87 *	7.87 *	6.28 *	6.15	4.18 *	4.18 *	8.69 (28.5)
				17.01 *	17.01 *	23.80 *	23.80 *	17.36 *	17.36 *	13.84 *	13.56	9.21 *	9.21 *	
-1.5 m -5 ft	1,000 kg 1,000 lb	7.01 *	7.01 *	10.92 *	10.92 *	10.93 *	10.93 *	8.05 *	8.05 *	6.28 *	6.1	4.94 *	4.94 *	8.18 (26.8)
		15.44 *	15.44 *	24.08 *	24.08 *	24.10 *	24.10 *	17.75 *	17.75 *	13.85 *	13.45	10.89 *	10.89 *	
-3 m -10 ft	1,000 kg 1,000 lb	10.70 *	10.70 *	14.69 *	14.69 *	10.23 *	10.23 *	7.59 *	7.59 *			5.79 *	5.79 *	7.33 (24.1)
		23.59 *	23.59 *	32.38 *	32.38 *	22.56 *	22.56 *	16.74 *	16.74 *			12.77 *	12.77 *	
-4.5 m -15 ft	1,000 kg 1,000 lb			11.75 *	11.75 *	8.40 *	8.40 *	5.86 *	5.86 *			5.85 *	5.85 *	6.01 (19.7)
				25.90 *	25.90 *	18.53 *	18.53 *	12.93 *	12.93 *			12.89 *	12.89 *	

1. Load point is the end of the arm.
2. Capacities marked with an asterisk (*) are limited by hydraulic capacities.
3. Lift capacities shown do not exceed 75% of minimum tipping loads or 87% of hydraulic capacities.
4. The least stable position is over the side.
5. Lift capacities apply only to the machine as originally manufactured and normally equipped by the manufacturer.
6. Lift capacities are in compliance with ISO 10567.

STANDARD/OPTIONAL CONFIGURATION

●: Standard, ○: Optional

ENGINE

EPA T4 Final Compliant	●
Cooled Exhaust Gas Recirculation (CEGR)	●
Diesel Oxidation Catalyst (DOC)	●
Selective Catalyst Reduction (SCR)	●
Diesel Exhaust Fluid (DEF)	●
Fuel Filter with Water Separator	●
Pre-Cleaner	●
Auto-Shutdown (Time-Adjustable)	●
Overheat and Low Oil Pressure Engine Protection	●
Block Heater (110V)	●
Block Heater (220V)	○
Fuel Filler Pump	○

HYDRAULIC SYSTEM

Electronic Power Optimizing System (EPOS)	●
Variable Axial Piston Main Pump (Tandem)	●
Pilot Operated Control Valves	●
Auxiliary Hydraulics, Fingertip and Pedal Control	●
Auxiliary Hydraulics, Fingertip Control	○
Adjustable Auxiliary Flow and Pressure	●
Pattern Change Valve	●
Quick Coupler Piping	●
Hydraulic Oil, VG46	○
Hydraulic Oil, VG32	●

OTHER

Forestry Cabin, Side Entry	N/A
ROPS Cabin, Side Entry	●
Cab Riser (Hydraulic Tilt)	N/A
Cab Guard - Front, Top and Rear	○
7" Multi-Function LCD Cluster	●
AM/FM Stereo and MP3 Port	●
Emergency Breakout Tool	●
Power Socket, 12V	●
Additional Power Socket, 12V	●

ELECTRICAL

Light, Work (LED): Machine (8), Boom (2)	●
Light, Work (Halogen): Machine (8), Boom (2)	○
Travel Alarm Only	●
Travel Alarm with Swing Alarm	○
Rearview Camera	●
Rear & Sideview Camera	○
Telematics, Dual (Satellite and Mobile)	●
Telematics, Mobile	○
Microphone	○

ATTACHMENT

5.7 m (18' 8") Boom	●
Without Boom	○
2.9 m (9' 6") Arm	●
3.5 m (11' 6") Arm	○
Without Arm	○
Control Linkage	●
Boom Cylinder Guard	●
Arm Cylinder Guard	N/A

UNDERCARRIAGE

Heavy Duty High and Wide Undercarriage	●
700 mm (28") Double Grousers Shoe	●
700 mm (28") Triple Grousers Shoe	○
Full Track Rail Guard	●

OTHER

Heavy Duty Catwalk/Side Guards	●
Straight Travel, Dedicated Pedal	●



www.hceamericas.com
6100 Atlantic Blvd., Norcross, GA 30071
TEL (678) 823-7777 FAX (678) 823-7778

Printed in U.S.A.

PLEASE CONTACT

1131-EX-SP 12/2022v9